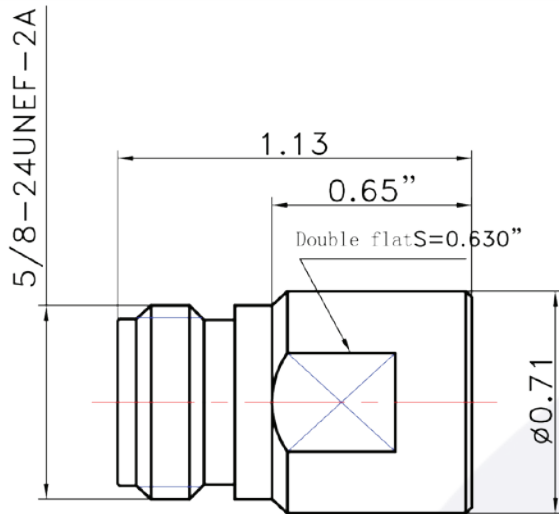




## Type N Female Termination • DC - 18 GHz

### Part #221-34-50-001



#### Electrical

- **Frequency Range** DC - 18 GHz
- **Return Loss** DC - 4 GHz.....30 dB Max  
4 - 8 GHz .....25 dB Max  
8 - 18 GHz .....15 dB Max
- **Impedance** 50 Ohms
- **RF Power Nominal** 2 Watt Average at 25°C  
Derated Linearly to  
1 Watt at 125°C

#### Material

- **Resistive Element** Thin Film
- **Resistor Substrate** Alumina Ceramic
- **Body** Ternary-alloy Plated Brass
- **Center Contact** Gold Plated Beryllium Copper

#### Environmental Data

- **Temperature Range** -55°C - 125°C
- **Corrosion (Salt Spray)**  
MIL-STD-202 method 101 condition B
- **Vibration**  
MIL-STD-202 method 204 condition D
- **Shock**  
MIL-STD-202 method 213 condition I
- **Thermal Shock**  
MIL-STD-202 method 107 condition B
- **Moisture Resistance**  
MIL-STD-202 method 106