

Part No:

# 500285



## *SMA Thread-In Field Replaceable Plug .659" Long, Accepts .020" Diameter Pin - 27 GHz*

The 500285 is an SMA Male thread-in field replaceable connector by HASCO. This SMA Male accepts a 0.020" Pin Diameter and will operate up to 27 GHz. Thread-In connectors can be directly mounted on component housings with the use of a hermetic seal or launch pin.

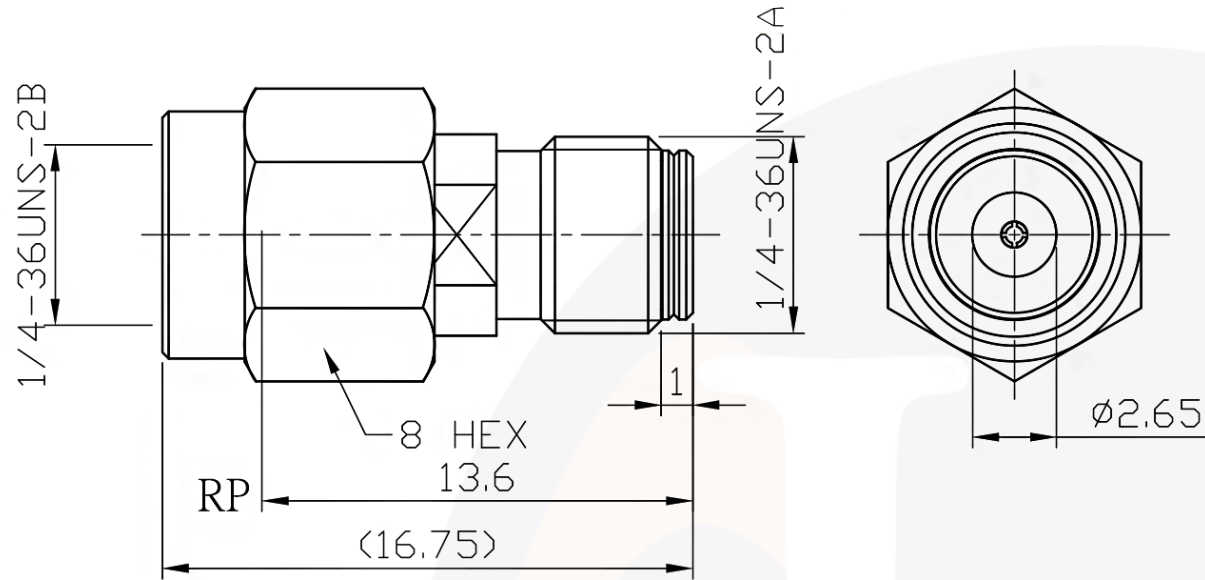
### Electrical

• Frequency Range	DC - 27 GHz
• VSWR	1.15:1 Max
• Pin Diameter	.020 inch
• Length	.659 inch (.536 inch REF Plane)

### Material

• Body	Passivated Stainless Steel
• Dielectric	PTFE
• Center Contact	BeCu (Plating: Tin-Zinc-Copper Alloy over Copper)
• Ferrule	Passivated Stainless Steel
• Gasket	Silicone
• Retainer Ring	BeCu (Plating: Gold over Nickel-Phosphorus Alloy over Copper)

SMA Thread-In Field Replaceable Plug .659" Long, Accepts .020" Diameter Pin | DC - 27 GHz | Outline Drawing



LTR	DESCRIPTION	DATE	APPR.	DRAWN BY: NS	REVIEWED BY: JS
-	RELEASE	8/23	TC		APPROVED BY: TC
NC	DRAWING UPDATE	9/23	TC	THESE DRAWINGS AND SPECIFICATIONS ARE THE PROPERTY OF HASCO COMPONENTS AND SHALL NOT BE REPRODUCED, COPIED NOR USED - IN WHOLE OR IN PART - AS THE BASIS FOR THE MANUFACTURE OR SALE OF OTHER ITEMS WITHOUT THE EXPRESS, WRITTEN PERMISSION OF HASCO COMPONENTS.	
THIS DRAWING IS A CONTROLLED DOCUMENT					



5214 Bonsai Street • Moorpark, CA 93021  
 (888) 498-3242 • sales@hasco-inc.com  
[www.hasco-inc.com](http://www.hasco-inc.com)

MATERIALS: SEE DATA SHEET	CAGE CODE: 0T8L4	SCALE: N/A	SIZE: A
FINISHES: SEE DATA SHEET	PART NO./DRAWING NO. <b>500285</b>		REV: NC