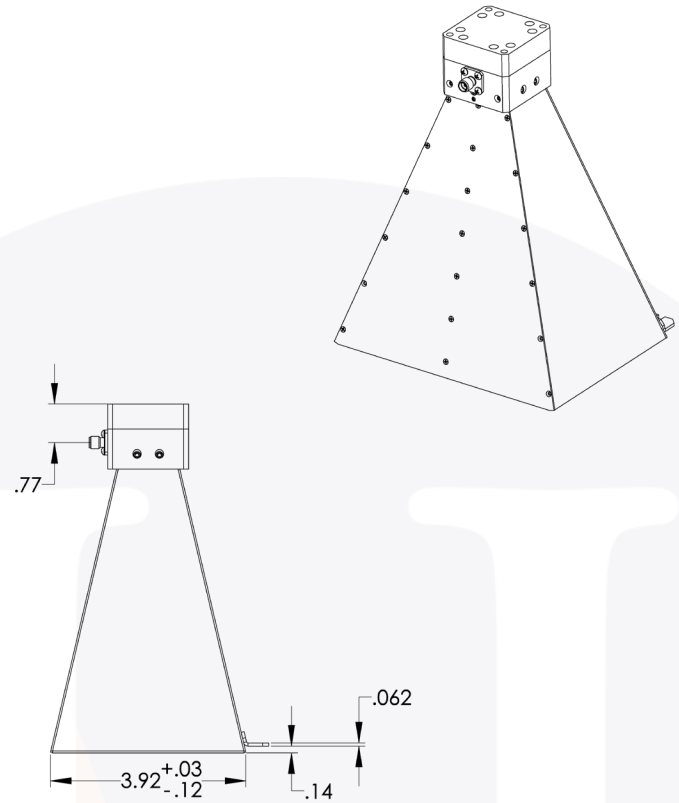
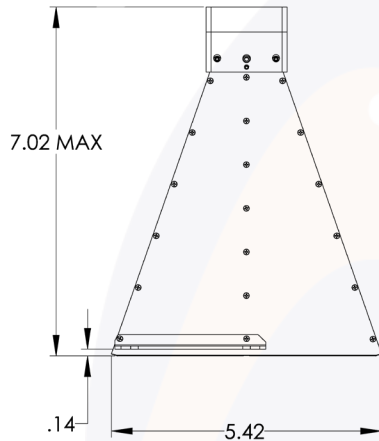
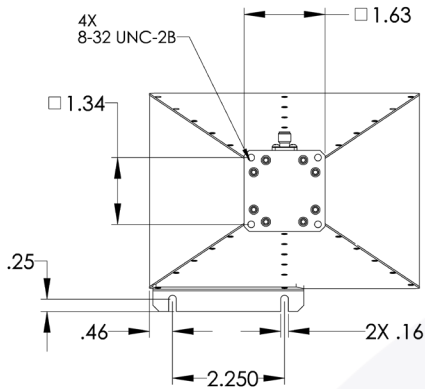


# Horn Antenna Assembly with SMA Female Connector, Peak Power 1W | 2 - 8 GHz | DATASHEET

## SPECIFICATIONS

IMPEDANCE	50Ω
FREQUENCY RANGE	2 - 8 GHz
VSWR	2.50:1 Max
PEAK POWER	1 Watt
WEIGHT	1.30 lbs Max
BODY	Aluminum Alloy 6061-T6
FINISH	Chem Film per MIL-DTL-5541
PAINT	White Polyurathane

Freq (Ghz)	3dB beam		Peak gain (dB)
	(az)	(elev)	
2	64.8	81.0	8.1
3	48.1	50.8	10.5
4	37.3	36.5	12.2
5	33.7	32.9	13.4
6	30.0	28.4	14.5
7	26.5	24.5	15.4
8	23.8	21.9	16.7



LTR	DESCRIPTION	DATE	APPR.	DRAWN BY: NS
-	PRELIMINARY		TC	<b>Preliminary</b>
THESE DRAWINGS AND SPECIFICATIONS ARE THE PROPERTY OF HASCO COMPONENTS AND SHALL NOT BE REPRODUCED, COPIED NOR USED - IN WHOLE OR IN PART - AS THE BASIS FOR THE MANUFACTURE OR SALE OF OTHER ITEMS WITHOUT THE EXPRESS, WRITTEN PERMISSION OF HASCO COMPONENTS.				
THIS DRAWING IS A CONTROLLED DOCUMENT				



5214 Bonsai Avenue • Moorpark, CA 93021  
 (888) 498-3242 • sales@hasco-inc.com  
[www.hasco-inc.com](http://www.hasco-inc.com)

MATERIALS:  
SEE DATA SHEET

CAGE CODE:  
0T8L4

SCALE:  
N/A

SIZE:  
A

FINISHES:  
SEE DATA SHEET

PART NO./DRAWING NO.  
**AH0208-D10H-01**

REV:  
-