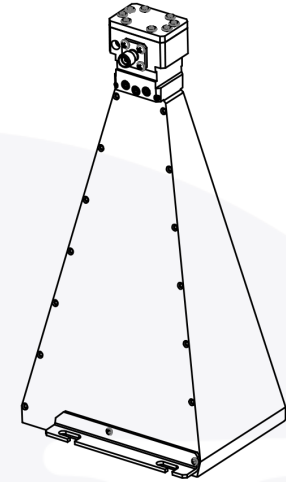
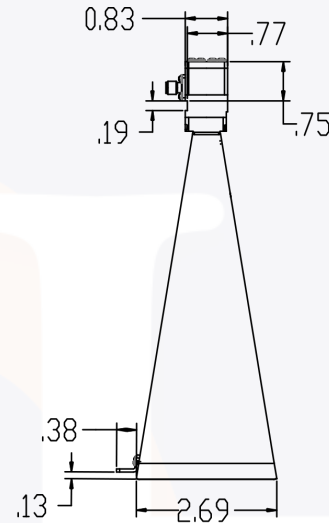
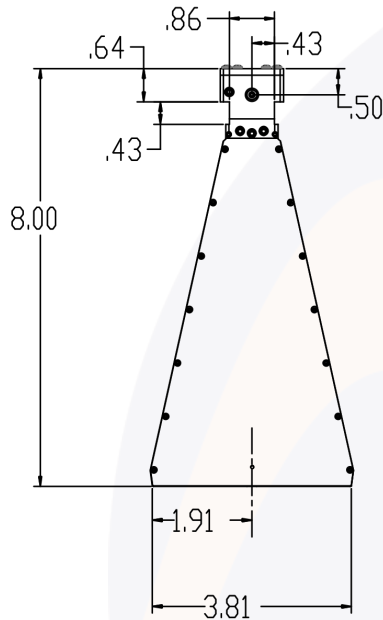
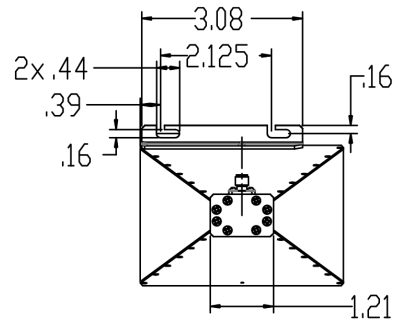


Horn Antenna Assembly with SMA Female Connector, Peak Power 1W | 6 - 18 GHz | DATASHEET

SPECIFICATIONS

IMPEDANCE	50Ω
FREQUENCY RANGE	6 - 18 GHz
VSWR	2.50:1 Max
PEAK POWER	1 Watt
WEIGHT	1.0 lbs Max
BODY	Aluminum Alloy 6061-T6
FINISH	Chem Film per MIL-DTL-5541
PAINT	White Polyurathane

Freq (Ghz)	3dB beam		Peak gain (dB)
	(az)	(elev)	
6	37.0	37.0	13.6
7	29.0	29.0	14.4
8	27.2	27.2	16.0
9	23.9	23.9	17.1
10	21.0	21.0	19.1
11	20.3	20.3	19.8
12	17.9	17.9	20.7
13	17.1	17.1	21.0
14	16.1	16.1	21.7
15	15.1	15.1	21.9
16	14.4	14.4	23.0
17	13.4	13.4	23.4
18	12.6	12.6	23.2



LTR	DESCRIPTION	DATE	APPR.	DRAWN BY: NS
-	PRELIMINARY		TC	
Preliminary				
THESE DRAWINGS AND SPECIFICATIONS ARE THE PROPERTY OF HASCO COMPONENTS AND SHALL NOT BE REPRODUCED, COPIED NOR USED - IN WHOLE OR IN PART - AS THE BASIS FOR THE MANUFACTURE OR SALE OF OTHER ITEMS WITHOUT THE EXPRESS, WRITTEN PERMISSION OF HASCO COMPONENTS.				
THIS DRAWING IS A CONTROLLED DOCUMENT				



5214 Bonsai Avenue • Moorpark, CA 93021
 (888) 498-3242 • sales@hasco-inc.com
www.hasco-inc.com

MATERIALS:
SEE DATA SHEET

CAGE CODE:
0T8L4

SCALE:
N/A

SIZE:
A

FINISHES:
SEE DATA SHEET

PART NO./DRAWING NO.
AH0618-D10H-02

REV:
-