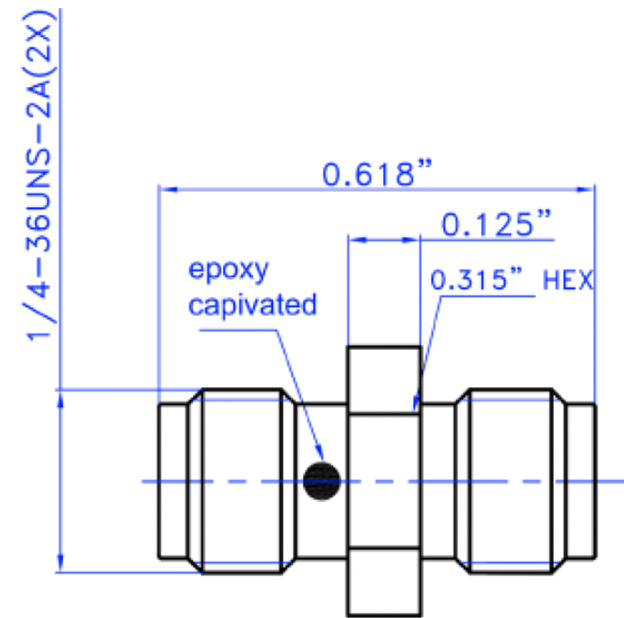


Electrical Specifications @ +25°C		Unit
Frequency range	DC-18.0	GHz
Maximum VSWR	1.20	: 1

Typical Performance @+25°C	DC-2 GHz	2-4 GHz	4-6 GHz	6-10 GHz	10-18 GHz
VSWR (S11) (:1)	1.02	1.04	1.06	1.07	1.13

Mechanical Specifications	Connector 1	Connector 2
Temperature range	-65 to +125° C	
Inner conductor material/finish	Beryllium Copper/Gold	Beryllium Copper/Gold
Connector body material/finish	Stainless Steel/Passivated	Stainless Steel/Passivated
Hex/Wrench flat size (in.)	0.315" flat	0.315" flat
Torque	7-10 in. lbs.	7-10 in. lbs.
Dielectric type	PTFE	PTFE
Mating cycles (typical)	500 cycles	500 cycles
Weight	0.085, [2.41] oz. [gms]	
Length	0.618, [15.7] in. [mm]	
Width	0.315, [8.00] in. [mm]	



### Features

- DC-18 GHz operation
- Excellent VSWR, 1.2:1 max.
- Stainless steel
- RoHS compliant

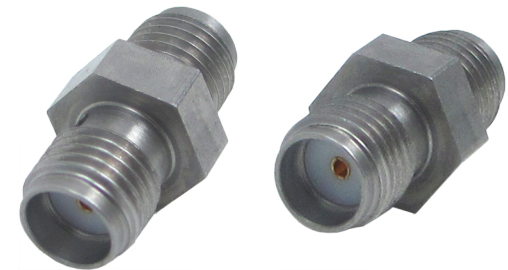
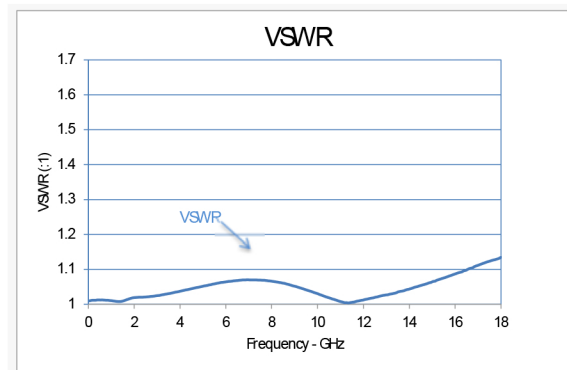
**Overview**  
 Impedance 50 Ohms  
 Frequency range DC-18.0 GHz

### Configuration

Connector 1 SMA Female  
 Connector 1 specification MIL-STD-348

Connector 2 SMA Female  
 Connector 2 specification MIL-STD-348

Body style Straight  
 Adapter design High performance



This drawing is the property of HASCO Components. Specifications and Part Numbers Subject to Change Without Notice.

SIZE A SCALE NO

UNLESS OTHERWISE SPECIFIED TOLERANCES:  
 .XX = ±0.02"  
 .XXX = ±0.005"  
 DIMENSIONS ARE IN INCHES



5214 Bonsai Street  
 Moorpark, CA  
 (888) 498-3242  
 www.hasco-inc.com

DRAWING BY: W. Lou DATE: 5/20/2009

REV. A SHEET 1/1

CHECKED BY: D. Huynh DATE: 5/20/2009

PART NO.

TITLE

APPROVED BY: T. Gates DATE: 5/20/2009

**1212-33-50-004**

**SMA Female/Female 4 Hole Flange adaptors**