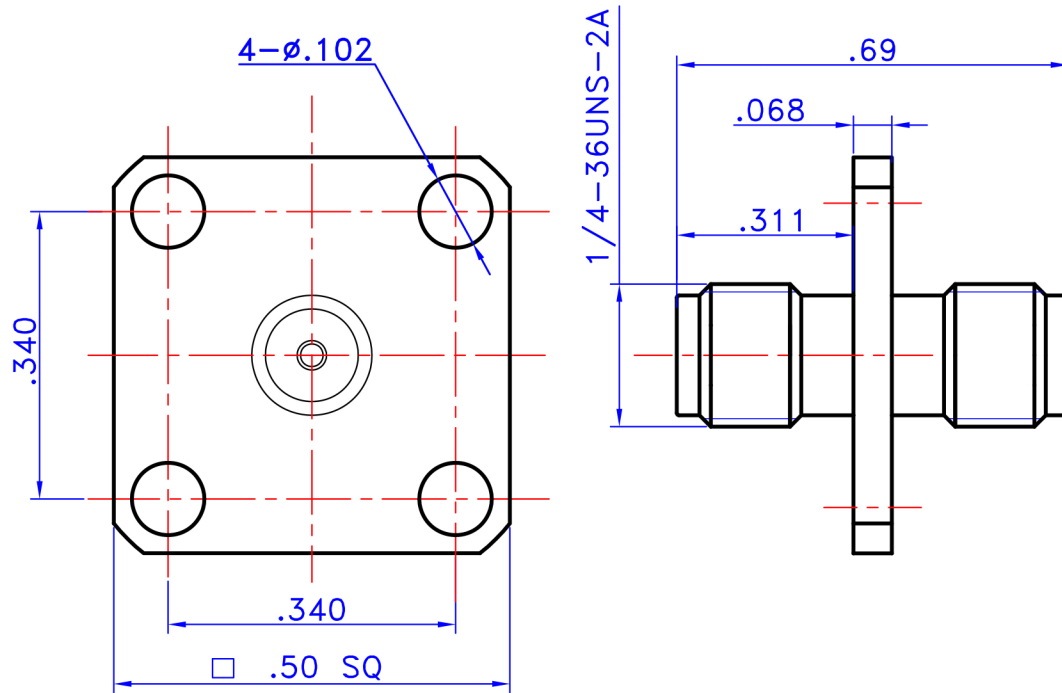


Electrical (Typical)

Impedance: 50 Ohms

VSWR max=1.15 : 1 up to 18 GHz

MATERIALS		
	Materials	Finish
Body	Stainless Steel	Passivated
Dielectric	PTFE	None
Center Contact	Beryllium Copper	Au over Ni



This drawing is the property of HASCO Components. Specifications and Part Numbers Subject to Change Without Notice.

DRAWING BY:	W. Lou	DATE:	5/20/2009
CHECKED BY:	D. Huynh	DATE:	5/20/2009
APPROVED BY:	T. Gates	DATE:	5/20/2009

SIZE	SCALE	UNLESS OTHERWISE SPECIFIED TOLERANCES: XX = ±0.02" .XXX = ±0.005" DIMENSIONS ARE IN INCHES
A	NO	
REV.	SHEET	
A	1/1	

PART NO.
1212-33-50-005



5214 Bonsai Street
Moorpark, CA
(888) 498-3242
www.hasco-inc.com

TITLE
SMA Female/Female 4 Hole Flange adaptors