

Part No:

185J-185J-RA



1.85mm Female to 1.85mm Female Right Angle Adapter, DC - 67 GHz

Electrical

- Impedance 50 Ohms
- Frequency Range DC - 67 GHz
- VSWR 1.35:1 Max

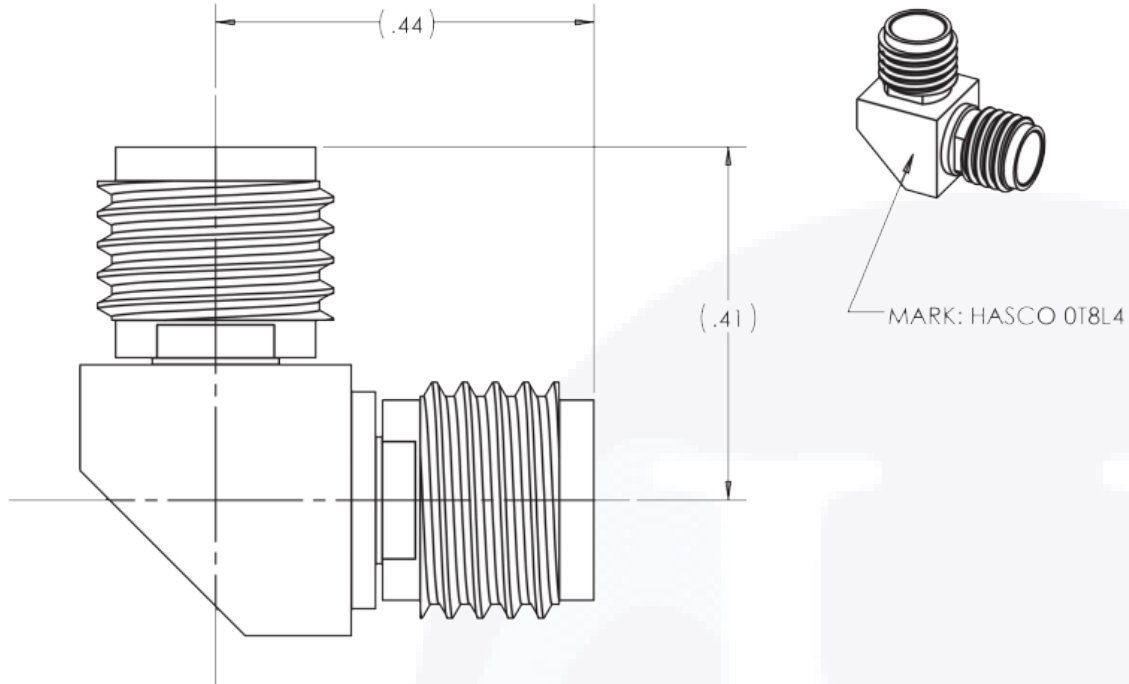
Material


- Body Passivated Stainless Steel
- Center Contact Gold Plated BeCu
- Insulator Oxide-Noryl

The HASCO **185J-185J-RA** is a 1.85mm Female to 1.85mm Female in-series adapter from HASCO. This in-series 1.85mm to 1.85mm right angle coax adapter will operate up to 67 GHz. Adapters that have a male to female or plug to jack configuration are known as “connector savers.” Typically, a low loss or low VSWR male to female adapter is placed on more expensive component connectors to prevent damage.

HASCO stocks an extensive selection of RF and Microwave between-series, in-series, right angle and low PIM adapters.

1.85mm Female to 1.85mm Female Right Angle Adapter | DC ~ 67 GHz | Outline Drawing



LTR	DESCRIPTION	DATE	APPR.	DRAWN BY: <i>JMS</i>	CHECKED BY: <i>JMS</i>		5214 Bonsai Street • Moorpark, CA 93021 (888) 498-3242 • sales@hasco-inc.com www.hasco-inc.com			
-	RELEASE	07/20	TAC	APPROVED BY: <i>TAC</i>						
				THESE DRAWINGS AND SPECIFICATIONS ARE THE PROPERTY OF HASCO COMPONENTS AND SHALL NOT BE REPRODUCED, COPIED NOR USED - IN WHOLE OR IN PART - AS THE BASIS FOR THE MANUFACTURE OR SALE OF OTHER ITEMS WITHOUT THE EXPRESS, WRITTEN PERMISSION OF HASCO COMPONENTS.			MATERIALS:	CAGE CODE:	SCALE:	SIZE:
							SEE DATA SHEET	0T8L4	N/A	A
							FINISHES:	PART NO./DRAWING NO.		REV:
							SEE DATA SHEET	185J-185J-RA		-
THIS DRAWING IS A CONTROLLED DOCUMENT										