



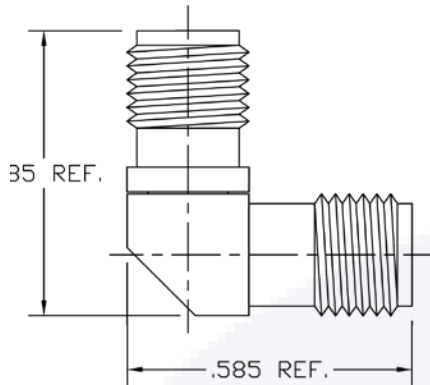
In-Series Adapters

2.92mm Right Angle Adapters • DC to 40.0 GHz

2.92mm (f) to 2.92mm (f)



29J-29J-RA



Application:

- DC to 40.0 GHz High Performance

Electrical:

- **Frequency Range** DC - 40 GHz
- **VSWR** DC - 40 GHz 1.25:1
- **Impedance** 50 Ohms
- **Temperature Range** -55°C to +100°C

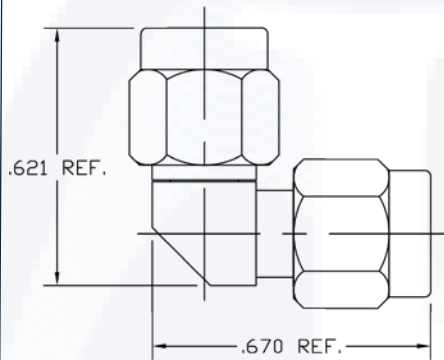
Materials:

- **Inner Conductor**
Beryllium Copper
- **Outer Conductor**
Passivated Stainless Steel
- **Dielectric**
Oxide-Noryl™

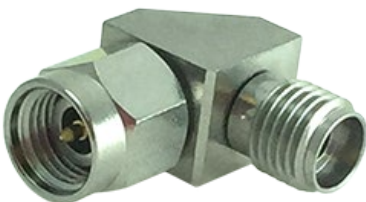
2.92mm (m) to 2.92mm (m)



29P-29P-RA



2.92mm (m) to 2.92mm (f)



29P-29J-RA

