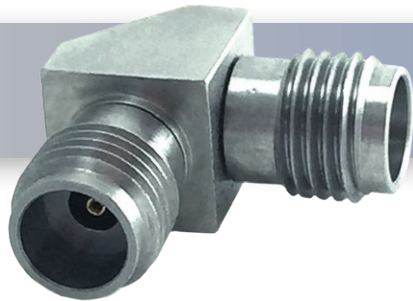


Part No:

24J-24J-RA



2.4mm Female to 2.4mm Female Right Angle Adapter With Passivated Stainless Steel Body, DC - 50 GHz

The HASCO **24J-24J-RA** is a Right Angle RF Adapter that operates from DC to 50 GHz. and offers 1.30:1 max VSWR.

The 24J-24J-RA Adapter is RoHS Compliant



HASCO stocks an extensive selection of RF and Microwave between-series, in-series, right angle and low PIM adapters. Adapters that have a male to female or plug to jack configuration are known as “connector savers.” Typically, a low loss or low VSWR male to female adapter is placed on more expensive component connectors to prevent damage. Bulkhead adapters and straight adapters are also available from HASCO Components

Electrical

- Frequency Range DC - 50 GHz
- VSWR DC - 50 GHz..... 1.30:1
- Impedence 50 Ohms
- Insertion Loss .50dB Max
- Connector Durability 500 Cycles Min

Environmental Data

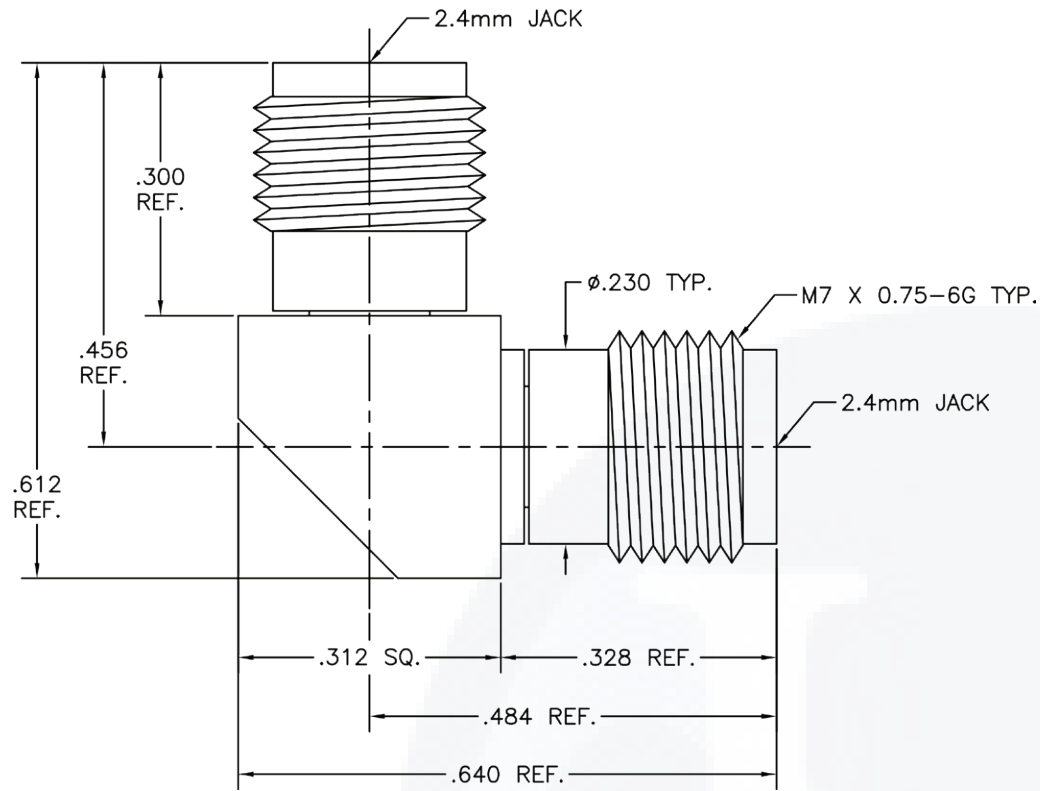
- Temperature Range -55°C - +125°C

Material


- Dielectric PCTFE (KEL-F)
- Center Conductor Gold Plated BeCu
- Body Passivated Stainless Steel
- Connector Nut Gold Plated BeCu

To view online, go to: <https://www.hasco-inc.com/adapters/2-4mm-female-to-2-4mm-male-right-angle-adapter/>

2.4mm Female to Female Right Angle Adapter | DC - 50 GHz | Outline Drawing



To view online, go to: <https://www.hasco-inc.com/adapters/2-4mm-female-to-2-4mm-male-right-angle-adapter/>

LTR	DESCRIPTION	DATE	APPR.	DRAWN BY: JMS	CHECKED BY: TAC		5214 Bonsai Street • Moorpark, CA 93021 (888) 498-3242 • sales@hasco-inc.com www.hasco-inc.com			
-	RELEASE	10/19	TAC	APPROVED BY: TAC						
				THESE DRAWINGS AND SPECIFICATIONS ARE THE PROPERTY OF HASCO COMPONENTS AND SHALL NOT BE REPRODUCED, COPIED NOR USED - IN WHOLE OR IN PART - AS THE BASIS FOR THE MANUFACTURE OR SALE OF OTHER ITEMS WITHOUT THE EXPRESS, WRITTEN PERMISSION OF HASCO COMPONENTS.			MATERIALS:	CAGE CODE:	SCALE:	SIZE:
							SEE DATA SHEET	OT8L4	N/A	A
							FINISHES:	PART NO./DRAWING NO.		REV:
							SEE DATA SHEET	24J-24P-RA		-
THIS DRAWING IS A CONTROLLED DOCUMENT										