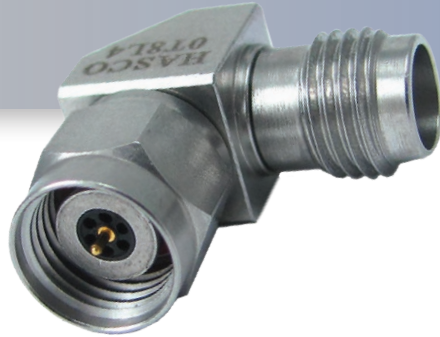


Part No:

# 24J-24P-RA-01



## 2.4mm Female to 2.4mm Male Right Angle Adapter With Passivated Stainless Steel Body, DC - 50 GHz

The HASCO **24J-24P-RA-01** is a Right Angle RF Adapter that operates from DC to 50 GHz. and offers 1.25:1 max VSWR.

The 24J-24P-RA-01 Adapter is RoHS Compliant



HASCO stocks an extensive selection of RF and Microwave between-series, in-series, right angle and low PIM adapters. Adapters that have a male to female or plug to jack configuration are known as “connector savers.” Typically, a low loss or low VSWR male to female adapter is placed on more expensive component connectors to prevent damage. Bulkhead adapters and straight adapters are also available from HASCO Components

### Electrical

- Frequency Range DC - 50 GHz
- VSWR DC - 50 GHz..... 1.25:1
- Impedence 50 Ohms
- Insertion Loss .50dB Max
- Connector Durability 500 Cycles Min

### Environmental Data

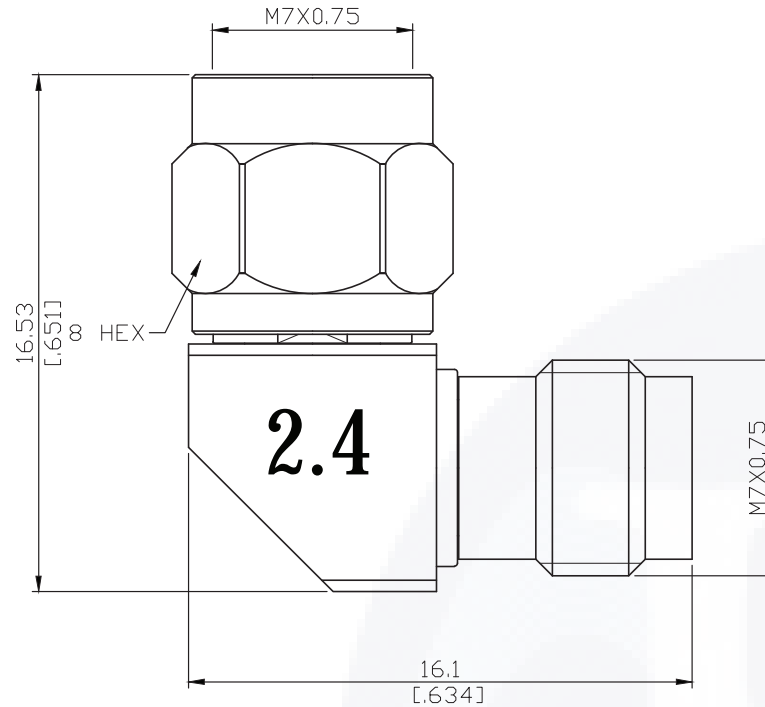
- Temperature Range -55°C - +100°C

### Material


- Dielectric Silicone
- Center Conductor Beryllium Copper - Gold Plated over Nickel-Phosphorus Alloy 80
- Body Passivated Stainless Steel

To view online, go to: <https://www.hasco-inc.com/adapters/2-4mm-female-to-2-4mm-male-right-angle-adapter-dc-to-50-ghz/>

24J-24P-RA-01 | DC - 50 GHz | Outline Drawing



To view online, go to: <https://www.hasco-inc.com/adapters/2-4mm-female-to-2-4mm-male-right-angle-adapter-dc-to-50-ghz/>

LTR	DESCRIPTION	DATE	APPR.	DRAWN BY: JMS	CHECKED BY: TAC		5214 Bonsai Street • Moorpark, CA 93021 (888) 498-3242 • sales@hasco-inc.com <a href="http://www.hasco-inc.com">www.hasco-inc.com</a>			
-	RELEASE	10/19	TAC	APPROVED BY: TAC						
				THESE DRAWINGS AND SPECIFICATIONS ARE THE PROPERTY OF HASCO COMPONENTS AND SHALL NOT BE REPRODUCED, COPIED NOR USED - IN WHOLE OR IN PART - AS THE BASIS FOR THE MANUFACTURE OR SALE OF OTHER ITEMS WITHOUT THE EXPRESS, WRITTEN PERMISSION OF HASCO COMPONENTS.		MATERIALS: SEE DATA SHEET	CAGE CODE: OT8L4	SCALE: N/A	SIZE: A	
						FINISHES: SEE DATA SHEET	PART NO./DRAWING NO. <b>24J-24P-RA-01</b>		REV: -	
THIS DRAWING IS A CONTROLLED DOCUMENT										