

Part No:

24J-SMAP-FM



2.4mm Female to SMA Male Adapter - 26.5 GHz

Electrical

- Frequency Range DC - 26.5 GHz
- VSWR DC - 26.5 GHz.....1.25:1 Max
- Impedence 50 Ohms
- Durabilitiy 500 Cycles Minimum

Environmental Data

- Temperature Range -65°C - +165°C
- Recommended Mating Torque 8-10 in. lbs ([HASCO Torque Wrench HTW-516-08 Available](#))

Material

- Dielectric PTFE
- Center Conductor Gold Plated Beryllium Copper
- Housing Passivated Stainless Steel

The HASCO **24J-SMAP-FM** is a 2.4mm Female to SMA Male between series adapter manufactured by HASCO Components. This between series 2.4mm to SMA coax adapter will operate up to 26.5 GHz. Adapters that have a male to female or plug to jack configuration are known as "connector savers."

The HASCO **24J-SMAP-FM** adapter is RoHS Compliant.

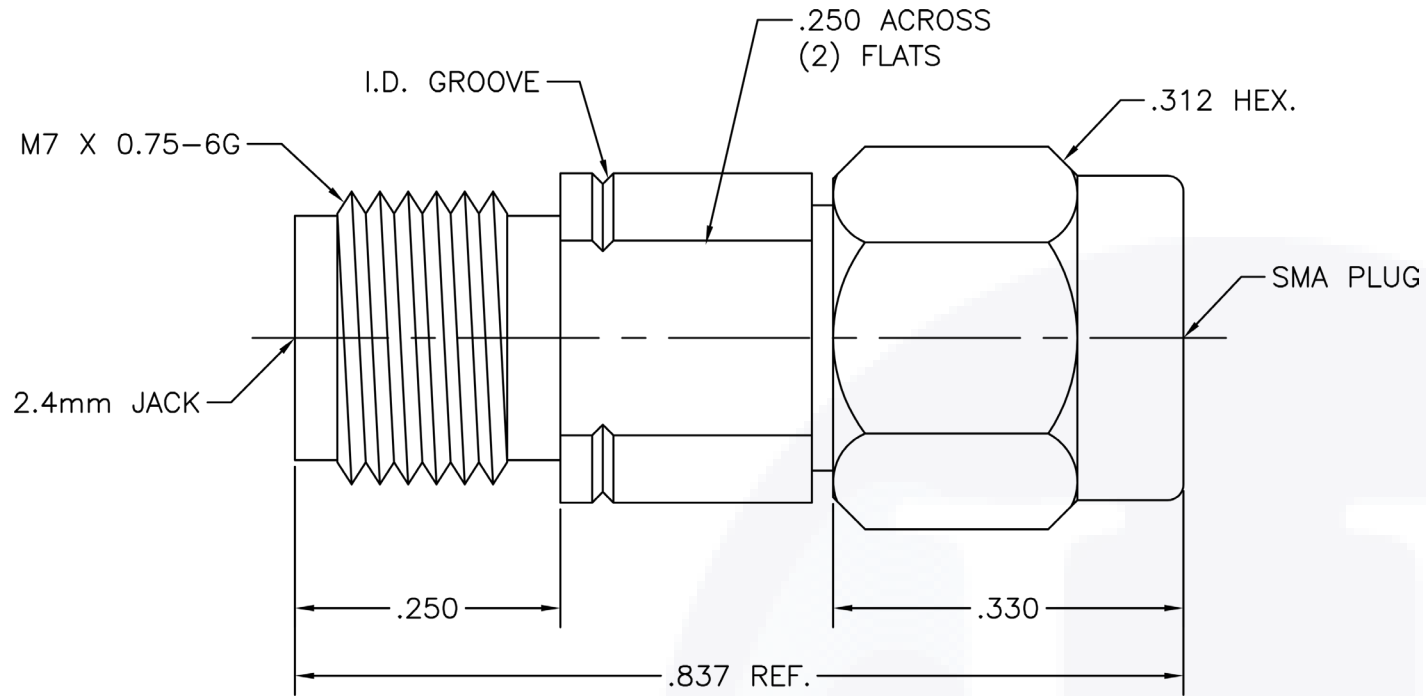



Typically, a low loss or low VSWR male to female adapter is placed on more expensive component connectors to prevent damage.

HASCO stocks an extensive selection of RF and Microwave Between-series adapters and In-series coaxial adapters. Precision In-Series adapters include: SMA adapters, 3.5mm adapters, 2.92mm adapters, 2.40mm adapters, and 1.85mm adapters. Some of the Between-Series adapters available are Type N to SMA, SMA to 2.40mm, 3.5mm to 2.92mm, 2.92mm to 2.40mm, SSMA, to 2.92mm, SSMA to 2.4mm.

To view online, go to: <https://www.hasco-inc.com/adapters/2-4mm-female-to-sma-male-adapter-26-5-ghz/>

2.4mm Female to SMA Male Adapter | DC - 26.5 GHz | Outline Drawing



LTR	DESCRIPTION	DATE	APPR.	DRAWN BY: ABC	CHECKED BY: ABC		5214 Bonsai Street • Moorpark, CA 93021 (888) 498-3242 • sales@hasco-inc.com www.hasco-inc.com			
-	RELEASE	12/16	TAC	APPROVED BY: ABC			THESE DRAWINGS AND SPECIFICATIONS ARE THE PROPERTY OF HASCO COMPONENTS AND SHALL NOT BE REPRODUCED, COPIED NOR USED - IN WHOLE OR IN PART - AS THE BASIS FOR THE MANUFACTURE OR SALE OF OTHER ITEMS WITHOUT THE EXPRESS, WRITTEN PERMISSION OF HASCO COMPONENTS.			
				TOLERANCES - UNLESS OTHERWISE NOTED:		MATERIALS:				
				DECIMALS	INCHES	MM	SEE DATA SHEET	0T8L4	N/A	-
				.X"	.075"	[1.9]	FINISHES:	PART NO./DRAWING NO.		REV:
				.XX"	.050"	[1.3]	SEE DATA SHEET	24J-SMAP-FM		-
				.XXX"	.030"	[0.76]				
THIS DRAWING IS A CONTROLLED DOCUMENT										