

Part No:

# 29J-29J-FF-BH



## 2.92mm to 2.92mm Female Bulkhead Adapter - 40 GHz

### Electrical

• Impedance	50 Ohms
• Frequency Range	DC - 40 GHz
• VSWR	1.15:1 Max
• Insertion Loss	$\leq 0.04 \times f(\text{GHz})$ dB
• Insulation Resistance	$\geq 5000$ M $\Omega$
• Diel. Withstanding Voltage	750 V rms
• Working Voltage	250 V rms @ Sea Level
• RF Leakage	$\geq 100$ dB to 1 GHz
• Temperature Range	-40°C to 165°C

### Material

• Body	Passivated Stainless Steel
• Insulator	PEI
• Center Contact	Gold Plated BeCu
• Lock Washer	Passivated Stainless Steel
• Hex Nut	Passivated Stainless Steel

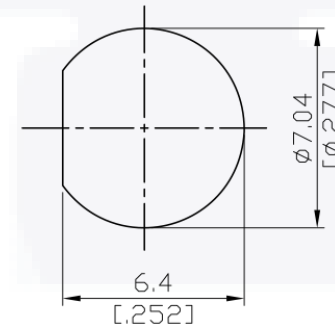
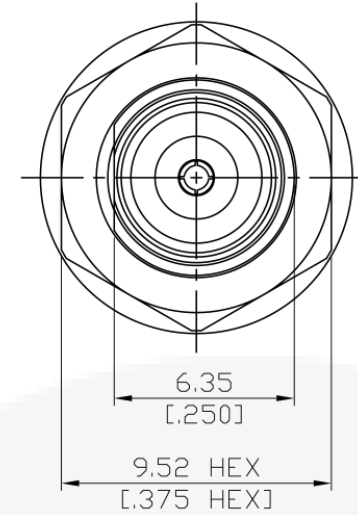
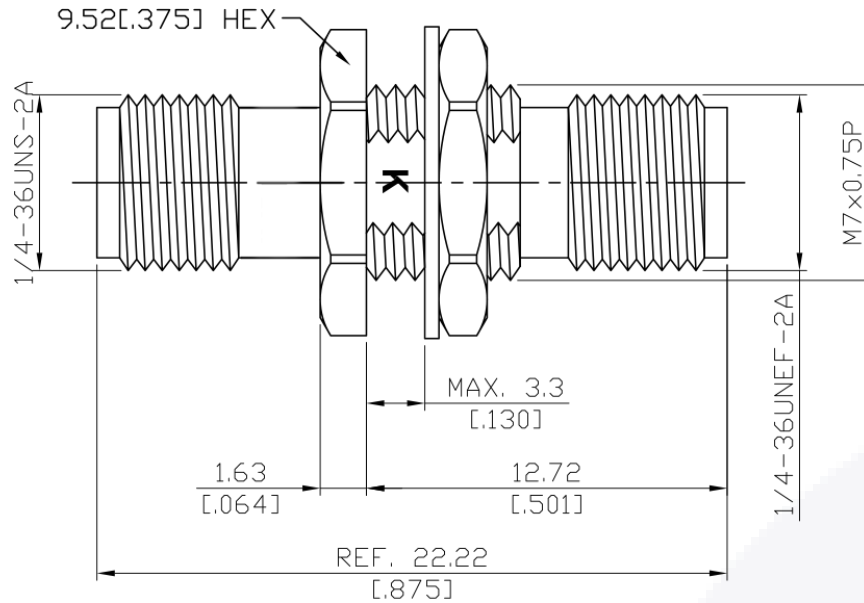
The HASCO **29J-29J-FF-BH** is a general purpose 2.92mm Female to 2.92mm Female Bulkhead in-series adapter from HASCO. This in-series coaxial adapter will operate up to 40 GHz.

The 29J-29J-FF-BH is RoHS compliant.



HASCO stocks an extensive selection of RF and Microwave between-series, in-series, right angle and low PIM adapters.

## 2.92mm to 2.92mm Female Bulkhead Adapter | DC ~ 40 GHz | Outline Drawing



**MOUNTING HOLE**

LTR	DESCRIPTION	DATE	APPR.	DRAWN BY: <i>NS</i>	CHECKED BY: <i>JMS</i>				5214 Bonsai Street • Moorpark, CA 93021 (888) 498-3242 • sales@hasco-inc.com <a href="http://www.hasco-inc.com">www.hasco-inc.com</a>			
-	RELEASE	07/22	TAC	APPROVED BY: <i>TAC</i>								
				THESE DRAWINGS AND SPECIFICATIONS ARE THE PROPERTY OF HASCO COMPONENTS AND SHALL NOT BE REPRODUCED, COPIED NOR USED - IN WHOLE OR IN PART - AS THE BASIS FOR THE MANUFACTURE OR SALE OF OTHER ITEMS WITHOUT THE EXPRESS, WRITTEN PERMISSION OF HASCO COMPONENTS.								
				MATERIALS:	SEE DATA SHEET	CAGE CODE:	OT8L4	SCALE:	N/A	SIZE:	A	
				FINISHES:	SEE DATA SHEET	PART NO./DRAWING NO.			29J-29J-FF-BH			
THIS DRAWING IS A CONTROLLED DOCUMENT										REV:		-