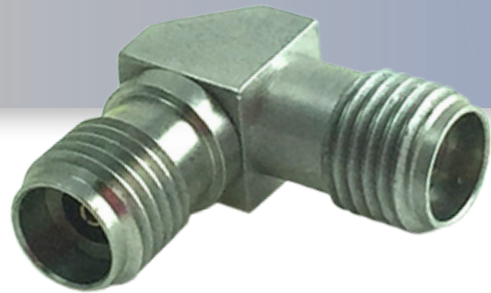


Part No:

# 29J-29J-RA-01



## 2.92mm Female to 2.92mm Female Right Angle Adapter - DC - 40 GHz

The HASCO **2PJ-29J-RA-01** is a Precision Right Angle RF Adapter that operates from DC to 40 GHz. and offers 1.15:1 max VSWR.

The 29J-29J-RA-01 Adapter is RoHS Compliant



HASCO stocks an extensive selection of RF and Microwave between-series, in-series, right angle and low PIM adapters. Adapters that have a male to female or plug to jack configuration are known as “connector savers.” Typically, a low loss or low VSWR male to female adapter is placed on more expensive component connectors to prevent damage. Bulkhead adapters and straight adapters are also available from HASCO Components

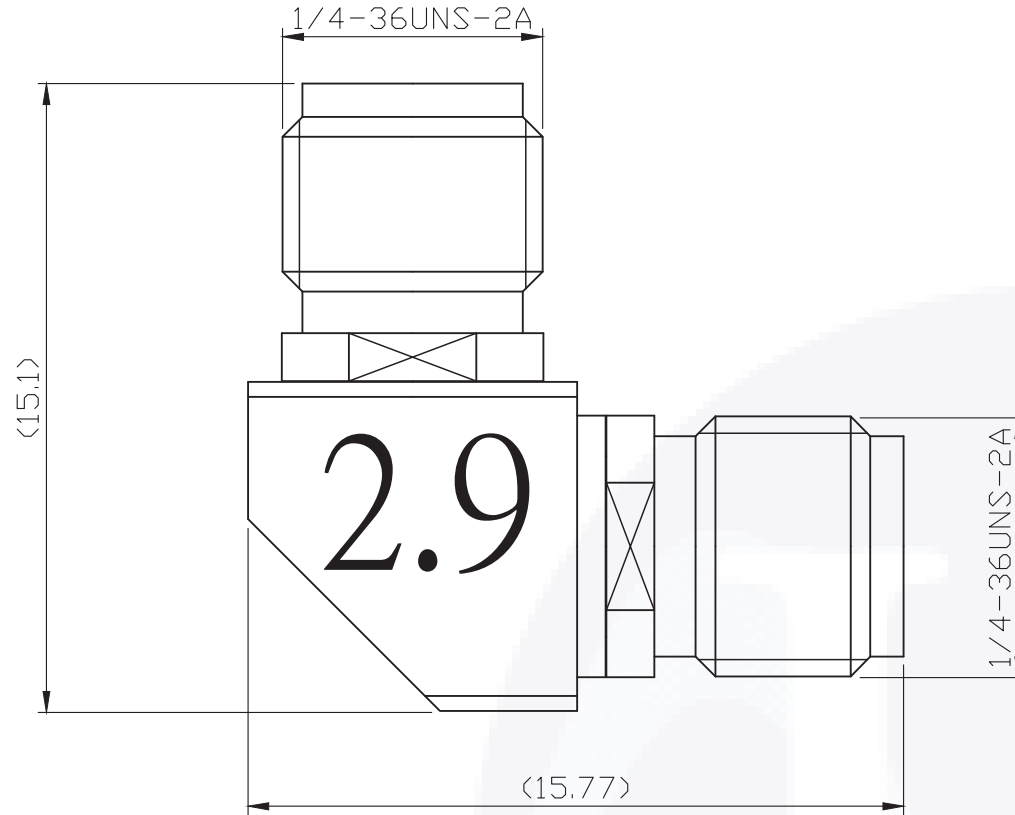
### Electrical


- Impedance 50 Ohms
- Frequency Range DC - 40 GHz
- VSWR DC - 40 GHz..... 1.15 MAX
- Insertion Loss  $\leq 0.05 \times \sqrt{f(\text{GHz})}$  dB
- Insulation Resistance  $\geq 5000\text{M}\Omega$
- Dielectric Withstanding Voltage 750 V rms (Sea Level)
- Working Voltage 250 V rms (Sea Level)
- Temperature Range  $-55^{\circ}\text{C} - +105^{\circ}\text{C}$
- RF Leakage  $\geq 100\text{dB}$  to 1 GHz

### Material

- Insulator PPO
- Contact Pin BeCu (Plating: Gold 4 over Nickel Phosphorus Alloy 80 over Copper 20)
- Body Passivated Stainless Steel
- Gasket Silicone
- Retainer Ring BeCu (Plating: Tin-Zinc-Copper-Alloy 100 over Copper 50)

2.92mm Female to Female Right Angle Adapter | DC - 40 GHz | Outline Drawing



LTR	DESCRIPTION	DATE	APPR.	DRAWN BY: JMS	CHECKED BY: TAC		5214 Bonsai Street • Moorpark, CA 93021 (888) 498-3242 • sales@hasco-inc.com <a href="http://www.hasco-inc.com">www.hasco-inc.com</a>			
-	RELEASE	7/21	TAC	APPROVED BY: TAC						
				THESE DRAWINGS AND SPECIFICATIONS ARE THE PROPERTY OF HASCO COMPONENTS AND SHALL NOT BE REPRODUCED, COPIED NOR USED - IN WHOLE OR IN PART - AS THE BASIS FOR THE MANUFACTURE OR SALE OF OTHER ITEMS WITHOUT THE EXPRESS, WRITTEN PERMISSION OF HASCO COMPONENTS.			MATERIALS:	CAGE CODE:	SCALE:	SIZE:
							SEE DATA SHEET	OT8L4	N/A	A
							FINISHES:	PART NO./DRAWING NO.		REV:
							SEE DATA SHEET	<b>29J-29J-RA-01</b>		-
THIS DRAWING IS A CONTROLLED DOCUMENT										