

Part No:

29J-29P-RA-01



2.92mm Female to 2.92mm Male Right Angle Adapter - DC - 40 GHz

The HASCO **29J-29P-RA-01** is a Precision Right Angle RF Adapter that operates from DC to 40 GHz. and offers 1.15:1 max VSWR.

The 29J-29P-RA-01 Adapter is RoHS Compliant



HASCO stocks an extensive selection of RF and Microwave between-series, in-series, right angle and low PIM adapters. Adapters that have a male to female or plug to jack configuration are known as “connector savers.” Typically, a low loss or low VSWR male to female adapter is placed on more expensive component connectors to prevent damage. Bulkhead adapters and straight adapters are also available from HASCO Components

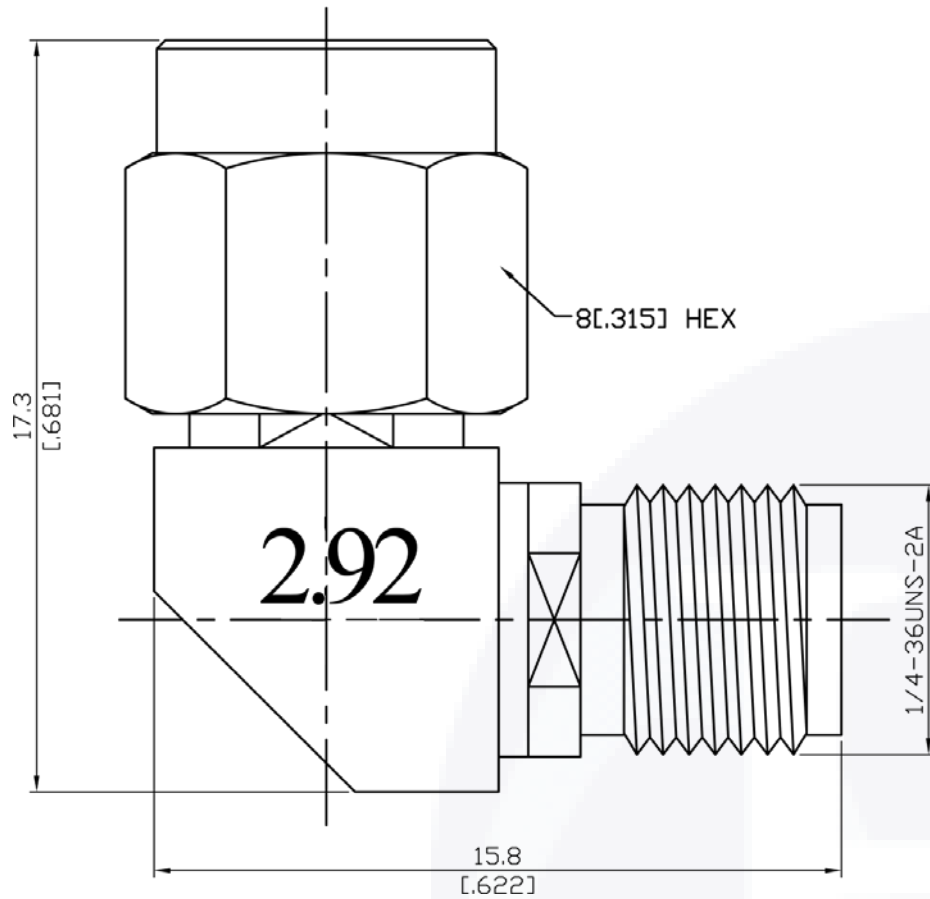
Electrical

- Impedance 50 Ohms
- Frequency Range DC - 40 GHz
- VSWR DC - 40 GHz..... 1.15 MAX
- Insertion Loss $\leq 0.05 \times \sqrt{f(\text{GHz})}$ dB
- Insulation Resistance $\geq 5000\text{M}\Omega$
- Dielectric Withstanding Voltage 750 V rms (Sea Level)
- Working Voltage 250 V rms (Sea Level)
- Temperature Range -55°C - +105°C
- RF Leakage $\geq 100\text{dB}$ to 1 GHz

Material

- Insulator PPO
- Contact Pin BeCu (Plating: Gold 4 over Nickel Phosphorus Alloy 80 over Copper 20)
- Body & Coupling Nut Passivated Stainless Steel
- Gasket Silicone
- Retainer Ring BeCu (Plating: Tin-Zinc-Copper-Alloy 100 over Copper 50)

2.92mm Male to Female Right Angle Adapter | DC - 40 GHz | Outline Drawing



LTR	DESCRIPTION	DATE	APPR.	DRAWN BY: JMS	CHECKED BY: TAC
-	RELEASE	10/19	TAC	APPROVED BY: TAC	
				THESE DRAWINGS AND SPECIFICATIONS ARE THE PROPERTY OF HASCO COMPONENTS AND SHALL NOT BE REPRODUCED, COPIED NOR USED - IN WHOLE OR IN PART - AS THE BASIS FOR THE MANUFACTURE OR SALE OF OTHER ITEMS WITHOUT THE EXPRESS, WRITTEN PERMISSION OF HASCO COMPONENTS.	
THIS DRAWING IS A CONTROLLED DOCUMENT					



5214 Bonsai Street • Moorpark, CA 93021
 (888) 498-3242 • sales@hasco-inc.com
www.hasco-inc.com

MATERIALS: SEE DATA SHEET	CAGE CODE: 0T8L4	SCALE: N/A	SIZE: A
FINISHES: SEE DATA SHEET	PART NO./DRAWING NO. 29J-29P-RA-01		REV: -