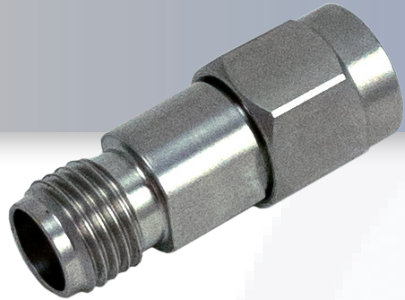


Part No:

# 29P-29J-MF



## 2.92mm Male to 2.92mm Female Adapter • DC- 40GHz

The HASCO **29P-29J-MF** is an Adapter that operates from DC to 40 GHz. This 2.92mm In-Series Adapter offers 1.15:1 max VSWR.

The 29P-29J-MF Adapter is RoHS compliant.



HASCO stocks an extensive selection of RF and Microwave Between-series adapters and In-series coaxial adapters. Precision In-Series adapters include: SMA adapters, 3.5mm adapters, 2.92mm adapters, 2.40mm adapters, and 1.85mm adapters. Some of the Between-Series adapters available are Type N to SMA, SMA to 2.40mm, 3.5mm to 2.92mm, 2.92mm to 2.40mm, SSMA, to 2.92mm, SSMA to 2.4mm.

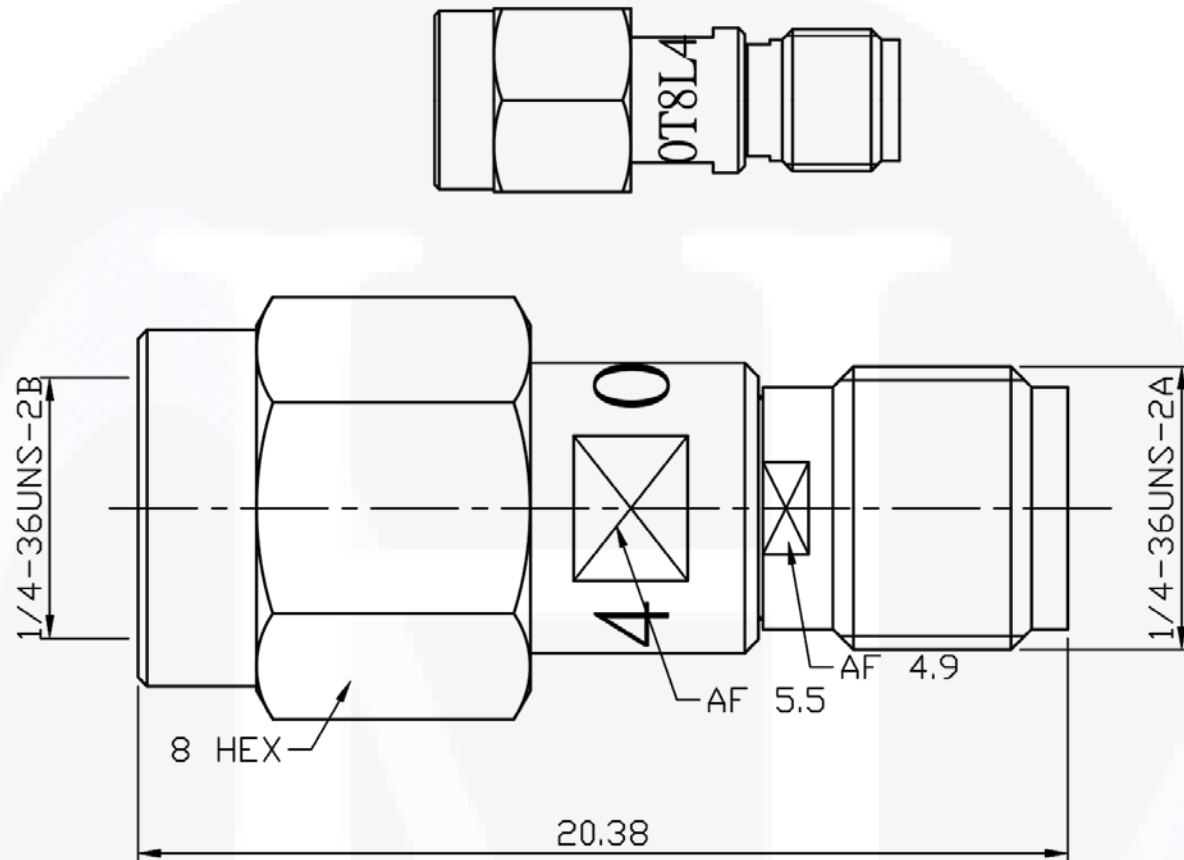
### Electrical

- Impedance 50 Ohms
- Frequency Range DC - 40 GHz
- VSWR DC - 40 GHz..... 1.15 MAX
- Insertion Loss  $\leq 0.04 \times \sqrt{f(\text{GHz})}$  dB
- Insulation Resistance  $\geq 5000M\Omega$
- Dielectric Withstanding Voltage 750 V rms (Sea Level)
- Working Voltage 250 V rms (Sea Level)
- Temperature Range -55°C - +105°C
- RF Leakage  $\geq 100\text{dB}$  to 1 GHz

### Material

- Insulator PPO
- Contact Pin BeCu (Plating: Gold 4 over Nickel Phosphorus Alloy 80 over Copper 20)
- Body & Coupling Nut Passivated Stainless Steel
- Gasket Silicone
- Retainer Ring BeCu (Plating: Tin-Zinc-Copper-Alloy 100 over Copper 50)

2.92mm Male to 2.92mm Female Adapter | DC - 40 GHz | Outline Drawing



LTR	DESCRIPTION	DATE	APPR.	DRAWN BY: <i>JMS</i>	CHECKED BY: <i>TAC</i>
-	RELEASE	6/15	TAC	APPROVED BY: <i>TAC</i>	
A	Updated Specs	7/21	TAC	THESE DRAWINGS AND SPECIFICATIONS ARE THE PROPERTY OF HASCO COMPONENTS AND SHALL NOT BE REPRODUCED, COPIED NOR USED - IN WHOLE OR IN PART - AS THE BASIS FOR THE MANUFACTURE OR SALE OF OTHER ITEMS WITHOUT THE EXPRESS, WRITTEN PERMISSION OF HASCO COMPONENTS.	
THIS DRAWING IS A CONTROLLED DOCUMENT					



5214 Bonsai Street • Moorpark, CA 93021  
 (888) 498-3242 • sales@hasco-inc.com  
[www.hasco-inc.com](http://www.hasco-inc.com)

MATERIALS:  
SEE DATA SHEET

CAGE CODE:  
OT8L4

SCALE:  
NS

SIZE:  
-

FINISHES:  
SEE DATA SHEET

PART NO./DRAWING NO.

**29P-29J-MF**

REV:  
A