

Part No:

35P-35J-MF-01



3.5mm Male to 3.5mm Female Adapter - 33GHz

Electrical

• Frequency Range	DC - 33 GHz
• VSWR	1.15:1 MAX @ 33GHz
• Impedance	50 Ohms
• Durability	1,000 Cycles
• Power Peak	250 Watts

Environmental Data

• Temperature Range	-65°C - +165°C
---------------------	----------------

Material

• Body	Passivated Stainless Steel
• Center Contact	Gold Plated BeCu
• Dielectric	PEI, Natural

The HASCO **35P-35J-MF-01** is an Adapter that operates from DC to 33 GHz and handles up to 1,000 cycles. Our 3.5mm In-Series Adapters offer 1.15:1 max VSWR.

The HASCO **35P-35J-MF-01** is RoHS Compliant.

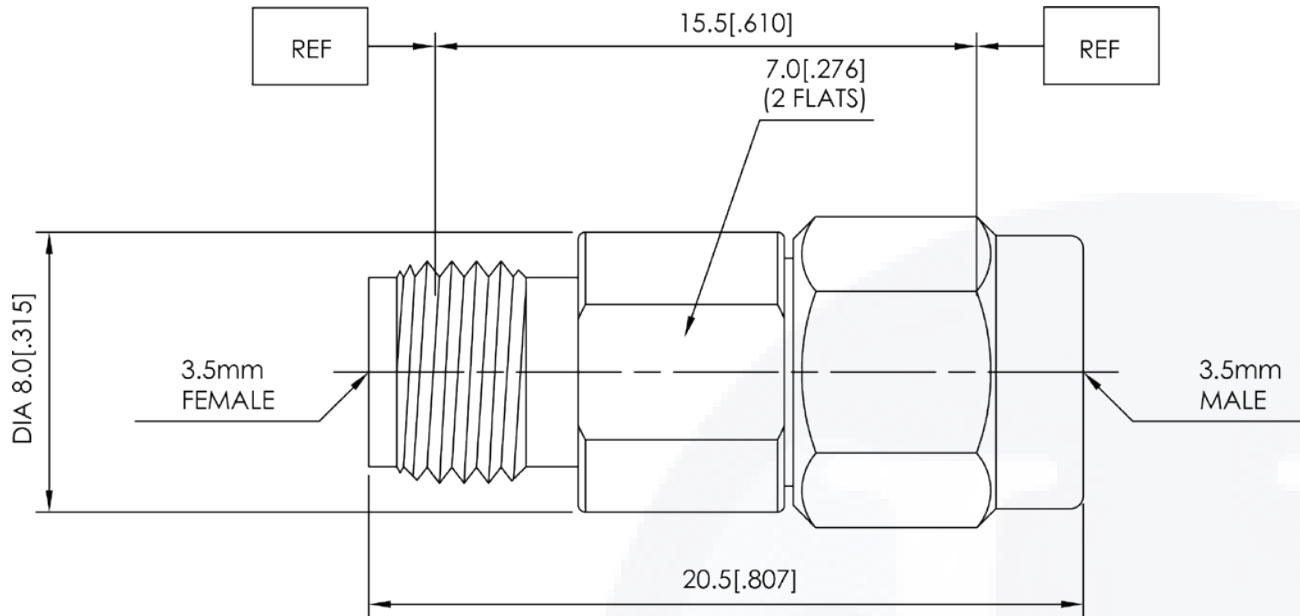


Adapters that have a male to female or plug to jack configuration are known as “connector savers.” Typically, a low loss or low VSWR male to female adapter is placed on more expensive component connectors to prevent damage. Bulkhead adapters and right angle adapters are also available from HASCO Components.


HASCO stocks an extensive selection of RF and Microwave Between-series adapters and In-series coaxial adapters. Precision In-Series adapters include: SMA adapters, 3.5mm adapters, 2.92mm adapters, 2.40mm adapters, and 1.85mm adapters. Some of the Between-Series adapters available are Type N to SMA, SMA to 2.40mm, 3.5mm to 2.92mm, 2.92mm to 2.40mm, SSMA, to 2.92mm, SSMA to 2.4mm.

To view online, go to: <https://www.hasco-inc.com/adapters/3-5mm-male-to-3-5mm-female-adapter-33-ghz-vswr-1-15-1/>

3.5mm Male to Female Adapter | DC - 33 GHz | Outline Drawing



To view online, go to: <https://www.hasco-inc.com/adapters/3-5mm-male-to-3-5mm-female-adapter-33-ghz-vswr-1-15-1/>

LTR	DESCRIPTION	DATE	APPR.	DRAWN BY: JMS	CHECKED BY: TAC		5214 Bonsai Street • Moorpark, CA 93021 (888) 498-3242 • sales@hasco-inc.com www.hasco-inc.com		
-	RELEASE	09/19	TAC	APPROVED BY: TAC					
				THESE DRAWINGS AND SPECIFICATIONS ARE THE PROPERTY OF HASCO COMPONENTS AND SHALL NOT BE REPRODUCED, COPIED NOR USED - IN WHOLE OR IN PART - AS THE BASIS FOR THE MANUFACTURE OR SALE OF OTHER ITEMS WITHOUT THE EXPRESS, WRITTEN PERMISSION OF HASCO COMPONENTS.		MATERIALS:	CAGE CODE:	SCALE:	SIZE:
						SEE DATA SHEET	0T8L4	N/A	A
						FINISHES:	PART NO./DRAWING NO.		REV:
						SEE DATA SHEET	35P-35J-MF-01		-
THIS DRAWING IS A CONTROLLED DOCUMENT									