

Part No:

HAD-29J-SSMAJ



2.92mm Female to SSMA Female Adapter - 40 GHz

Electrical

- Impedance 50 Ohms
- Frequency Range DC - 40 GHz
- VSWR 1.15:1 Max
- Insertion Loss $\leq 0.05 \times f(\text{GHz})$ dB
- Insulation Resistance ≥ 5000 M Ω
- Diel. Withstanding Voltage 750 V rms
- Working Voltage 250 V rms @ Sea Level
- Durability (mating) ≥ 500
- Temperature Range -40°C to 165°C

| Mechanical Data | 2.92mm | SSMA |
|---------------------------|----------------|--------------|
| Coupling Nut Torque | 11.47 in-lbs | 4 in-lbs |
| Coupling Proof Torque | 15 in-lbs | 5 in-lbs |
| Contact Captivation Axial | ≥ 4.9 lbs | ≥ 5 lbs |

Material

- Housing Passivated Stainless Steel
- Dielectric PEI (2.92), PTFE (SSMA)
- Contact BeCu (Plating: Gold 4 over Nickel-Phosphorus Alloy 80 over Copper 20)

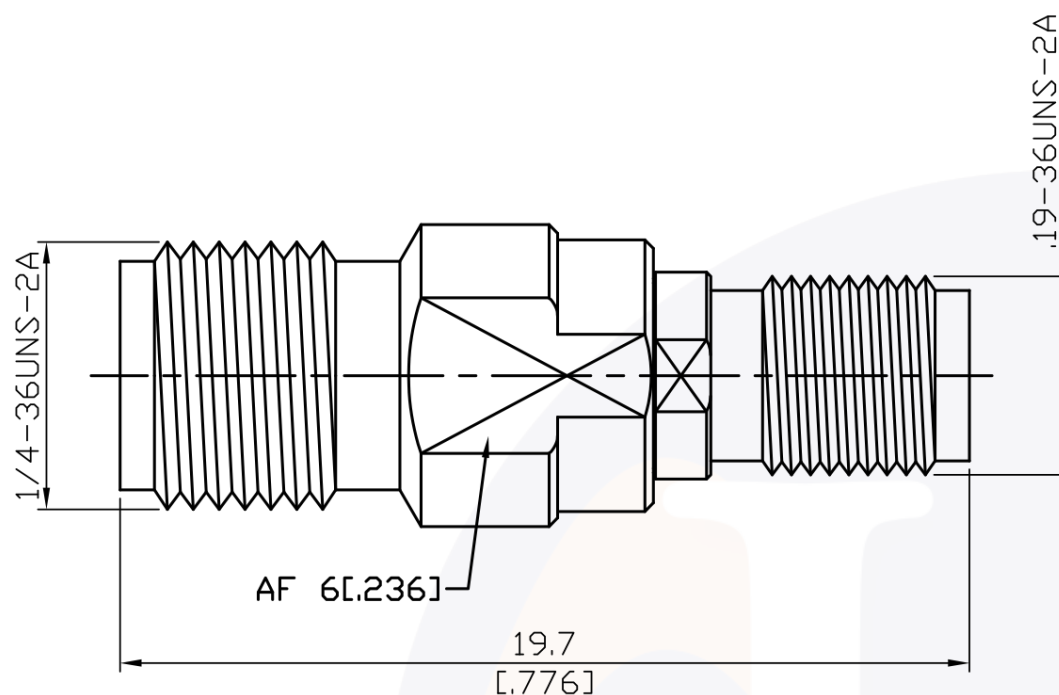
The HASCO **HAD-29J-SSMAJ** is a general purpose 2.92mm Female to SSMA Female between-series adapter from HASCO. This between-series coaxial adapter will operate up to 40 GHz. The 2.92mm connector mates mechanically with commercially available SMA and 3.5mm connectors.


The HAD-29J-SSMAJ is RoHS compliant.



HASCO stocks an extensive selection of RF and Microwave between-series, in-series, right angle and low PIM adapters.

2.92mm Female to SSMA Female Adapter | DC - 40 GHz | Outline Drawing



| | | | | | | |
|---------------------------------------|-------------|-------|-------|--|-----------------|--|
| LTR | DESCRIPTION | DATE | APPR. | DRAWN BY: NS | CHECKED BY: JMS |  <p>5214 Bonsai Street • Moorpark, CA 93021 (888) 498-3242 • sales@hasco-inc.com www.hasco-inc.com</p> |
| - | RELEASE | 11/22 | TAC | APPROVED BY: TAC | | |
| | | | | THESE DRAWINGS AND SPECIFICATIONS ARE THE PROPERTY OF HASCO COMPONENTS AND SHALL NOT BE REPRODUCED, COPIED NOR USED - IN WHOLE OR IN PART - AS THE BASIS FOR THE MANUFACTURE OR SALE OF OTHER ITEMS WITHOUT THE EXPRESS, WRITTEN PERMISSION OF HASCO COMPONENTS. | | MATERIALS: SEE DATA SHEET |
| | | | | | | CAGE CODE: OT8L4 |
| | | | | | | SCALE: N/A |
| | | | | | | SIZE: A |
| | | | | | | FINISHES: SEE DATA SHEET |
| | | | | | | PART NO./DRAWING NO. HAD-29J-SSMAJ |
| | | | | | | REV: - |
| THIS DRAWING IS A CONTROLLED DOCUMENT | | | | | | |