

Part No:

HAD-29J-SSMAP



2.92mm Female to SSMA Male Adapter - 40 GHz

Electrical

- Impedance 50 Ohms
- Frequency Range DC - 40 GHz
- VSWR 1.15:1 Max
- Insertion Loss $\leq 0.05 \times f(\text{GHz})$ dB
- Insulation Resistance ≥ 5000 M Ω
- Diel. Withstanding Voltage 750 V rms
- Working Voltage 250 V rms @ Sea Level
- Durability (mating) ≥ 500
- Temperature Range -40°C to 165°C

Mechanical Data	2.92mm	SSMA
Coupling Nut Torque	11.47 in-lbs	4 in-lbs
Coupling Proof Torque	15 in-lbs	5 in-lbs
Contact Captivation Axial	≥ 4.9 lbs	≥ 5 lbs

Material

- Housing & Coupling Nut Passivated Stainless Steel
- Dielectric PEI (2.92), PTFE (SSMA)
- Contact BeCu (Plating: Gold 4 over Nickel-Phosphorus Alloy 80 over Copper 20)
- Retainer Ring BeCu (Plating: Tin-Zinc-Copper Alloy 100 over Copper 100)
- Gasket Silicone

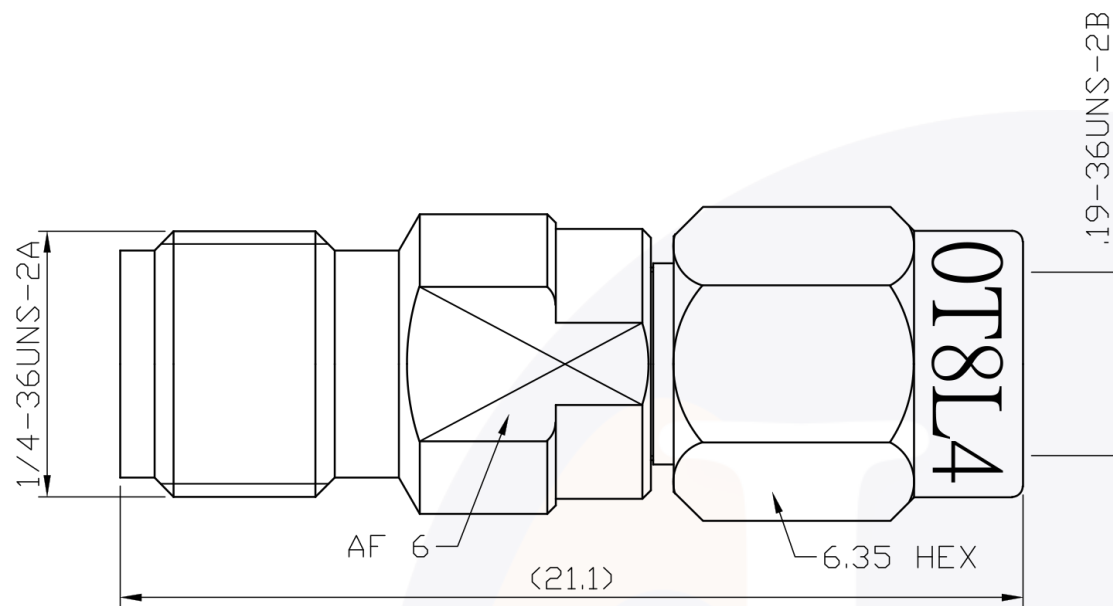
The HASCO **HAD-29J-SSMAP** is a general purpose 2.92mm Female to SSMA Male between-series adapter from HASCO. This between-series coaxial adapter will operate up to 40 GHz. The 2.92mm connector mates mechanically with commercially available SMA and 3.5mm connectors.


The HAD-29J-SSMAP is RoHS compliant.



HASCO stocks an extensive selection of RF and Microwave between-series, in-series, right angle and low PIM adapters.

2.92mm Female to SSMA Male Adapter | DC - 40 GHz | Outline Drawing



LTR	DESCRIPTION	DATE	APPR.	DRAWN BY: <i>NS</i>	CHECKED BY: <i>JMS</i>		5214 Bonsai Street • Moorpark, CA 93021 (888) 498-3242 • sales@hasco-inc.com www.hasco-inc.com						
-	RELEASE	11/22	TAC	APPROVED BY: <i>TAC</i>									
				THESE DRAWINGS AND SPECIFICATIONS ARE THE PROPERTY OF HASCO COMPONENTS AND SHALL NOT BE REPRODUCED, COPIED NOR USED - IN WHOLE OR IN PART - AS THE BASIS FOR THE MANUFACTURE OR SALE OF OTHER ITEMS WITHOUT THE EXPRESS, WRITTEN PERMISSION OF HASCO COMPONENTS.			MATERIALS:	CAGE CODE:	SCALE:	SIZE:			
							SEE DATA SHEET	0T8L4	N/A	A			
							FINISHES:	HAD-29J-SSMAP					
							SEE DATA SHEET						
THIS DRAWING IS A CONTROLLED DOCUMENT										PART NO./DRAWING NO.			REV:
													-