

Part No:

HAD-29P-SSMAJ



2.92mm Male to SSMA Female Adapter - 40 GHz

Electrical

- Impedance 50 Ohms
- Frequency Range DC - 40 GHz
- VSWR 1.15:1 Max
- Insertion Loss $\leq 0.05 \times f(\text{GHz})$ dB
- Insulation Resistance ≥ 5000 M Ω
- Diel. Withstanding Voltage 750 V rms
- Working Voltage 250 V rms @ Sea Level
- Durability (mating) ≥ 500
- Temperature Range -40°C to 165°C

Mechanical Data	2.92mm	SSMA
Coupling Nut Torque	11.47 in-lbs	4 in-lbs
Coupling Proof Torque	15 in-lbs	5 in-lbs
Contact Captivation Axial	≥ 4.9 lbs	≥ 5 lbs

Material

- Housing & Coupling Nut Passivated Stainless Steel
- Dielectric PEI (2.92), PTFE (SSMA)
- Contact BeCu (Plating: Gold 4 over Nickel-Phosphorus Alloy 80 over Copper 20)
- Retainer Ring BeCu (Plating: Tin-Zinc-Copper Alloy 100 over Copper 100)
- Gasket Silicone

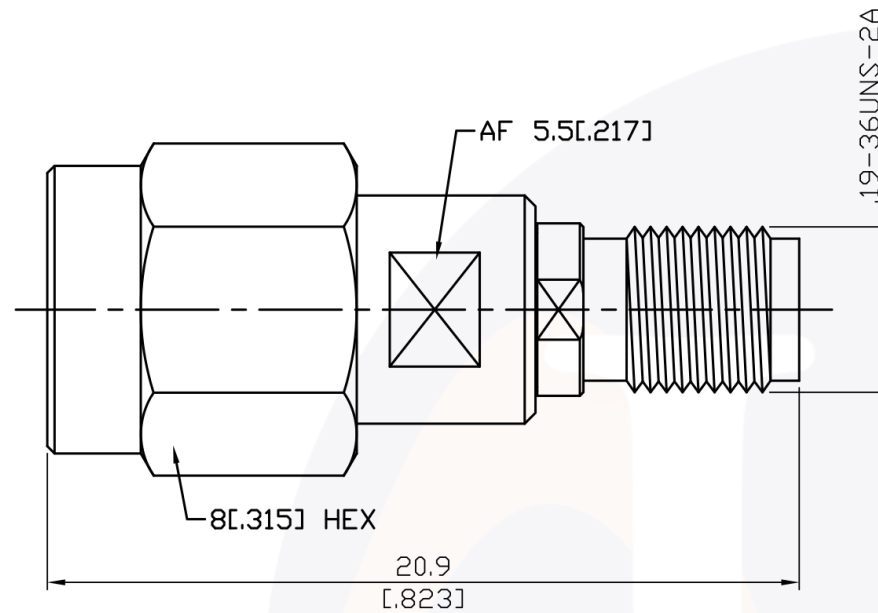
The HASCO **HAD-29P-SSMAJ** is a general purpose 2.92mm Male to SSMA Female between-series adapter from HASCO. This between-series coaxial adapter will operate up to 40 GHz. The 2.92mm connector mates mechanically with commercially available SMA and 3.5mm connectors.


The HAD-29P-SSMAJ is RoHS compliant.



HASCO stocks an extensive selection of RF and Microwave between-series, in-series, right angle and low PIM adapters.

2.92mm Male to SSMA Female Adapter | DC - 40 GHz | Outline Drawing



LTR	DESCRIPTION	DATE	APPR.	DRAWN BY: <i>NS</i>	CHECKED BY: <i>JMS</i>		5214 Bonsai Street • Moorpark, CA 93021 (888) 498-3242 • sales@hasco-inc.com www.hasco-inc.com		
-	RELEASE	11/22	TAC	APPROVED BY: <i>TAC</i>					
				THESE DRAWINGS AND SPECIFICATIONS ARE THE PROPERTY OF HASCO COMPONENTS AND SHALL NOT BE REPRODUCED, COPIED NOR USED - IN WHOLE OR IN PART - AS THE BASIS FOR THE MANUFACTURE OR SALE OF OTHER ITEMS WITHOUT THE EXPRESS, WRITTEN PERMISSION OF HASCO COMPONENTS.		MATERIALS:	CAGE CODE:	SCALE:	SIZE:
						SEE DATA SHEET	0T8L4	N/A	A
						FINISHES:	PART NO./DRAWING NO.		REV:
						SEE DATA SHEET	HAD-29P-SSMAJ		-
THIS DRAWING IS A CONTROLLED DOCUMENT									