

Part No:

HAD-BNCP-NJ



BNC Male to N Female General Purpose Adapter - 4 GHz

Electrical

- Impedance 50 Ohms
- Frequency Range DC - 4 GHz
- VSWR 1.20:1 Max

Material

Note: All plating thickness values are in micro-inches.

- BNC Body & Coupling Nut Brass (Plating: Tin-Zinc-Copper Alloy 100 over Copper 50)
- N Body Brass (Plating: Tin-Zinc-Copper Alloy 100 over Copper 50)
- BNC Contact Pin Brass (Plating: Gold 4 over Nickel 80 over Copper 20)
- N Contact Pin BeCu (Plating: Gold 4 over Nickel 80 over Copper 20)
- Spring SK 5
- Washer Brass (Plating: Tin-Zinc-Copper Alloy 100 over Copper 50)
- Insulator Teflon
- Gasket Silicon

The HASCO **HAD-BNCP-NJ** is a general purpose BNC Male to N Female between-series adapter from HASCO. This between-series coaxial adapter will operate up to 4 GHz.

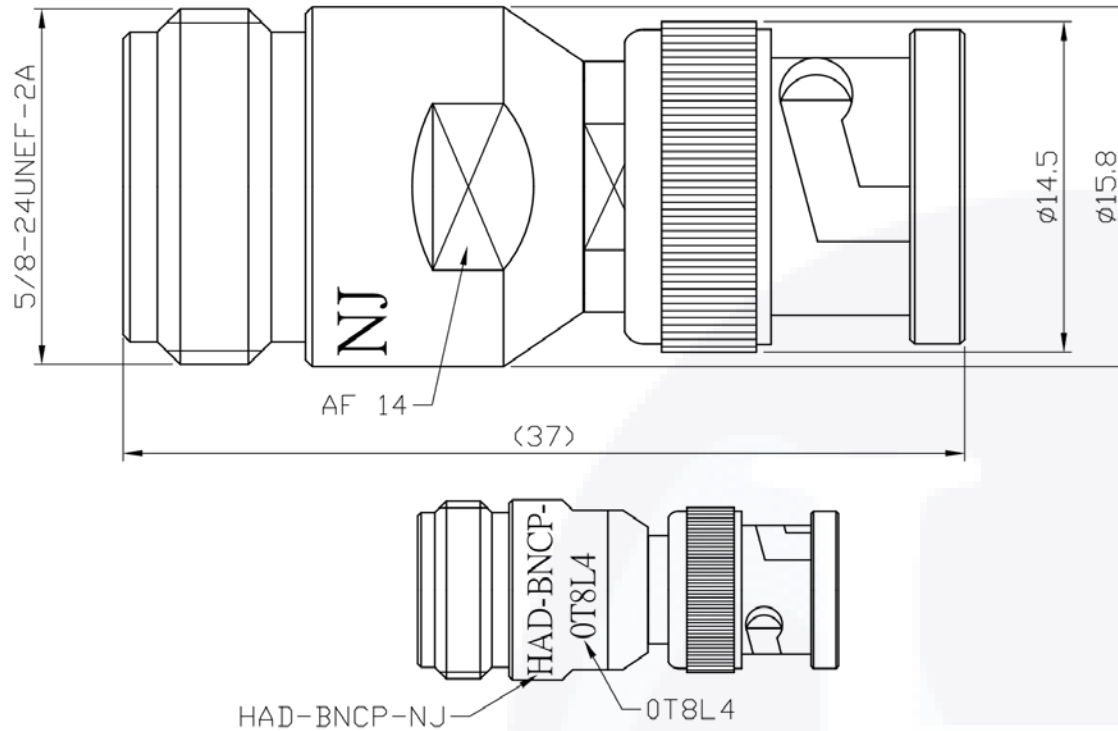
Adapters that have a male to female or plug to jack configuration are known as "connector savers." Typically, a low loss or low VSWR adapter is placed on more expensive component connectors to prevent damage.

The HAD-BNCP-NJ is RoHS compliant.



HASCO stocks an extensive selection of RF and Microwave between-series, in-series, right angle and low PIM adapters.

BNC Male to N Female Adapter | DC ~ 4 GHz | Outline Drawing



LTR	DESCRIPTION	DATE	APPR.	DRAWN BY: <i>JMS</i>	CHECKED BY: <i>JMS</i>
-	RELEASE	07/21	TAC	APPROVED BY: <i>TAC</i>	
				THESE DRAWINGS AND SPECIFICATIONS ARE THE PROPERTY OF HASCO COMPONENTS AND SHALL NOT BE REPRODUCED, COPIED NOR USED - IN WHOLE OR IN PART - AS THE BASIS FOR THE MANUFACTURE OR SALE OF OTHER ITEMS WITHOUT THE EXPRESS, WRITTEN PERMISSION OF HASCO COMPONENTS.	
THIS DRAWING IS A CONTROLLED DOCUMENT					



5214 Bonsai Street • Moorpark, CA 93021
 (888) 498-3242 • sales@hasco-inc.com
www.hasco-inc.com

MATERIALS: SEE DATA SHEET	CAGE CODE: 0T8L4	SCALE: N/A	SIZE: A
FINISHES: SEE DATA SHEET	PART NO./DRAWING NO. HAD-BNCP-NJ		REV: -