

Part No:

HAD-SMAJ-BMAJ-BH



SMA Female to BMA Female General Purpose Bulkhead Adapter - 18 GHz

Electrical

- Impedance 50 Ohms
- Frequency Range DC - 18 GHz
- VSWR 1.15:1 Max

Material

Note: All plating thickness values are in micro-inches.

- Body & Coupling Nut Passivated Stainless Steel
- Spring Passivated Stainless Steel
- Contact Pin Brass
- Spring Ring BeCu (Plating: Gold 4 over Nickel Phosphorous Alloy 80 over Copper 20)
- Insulator Teflon

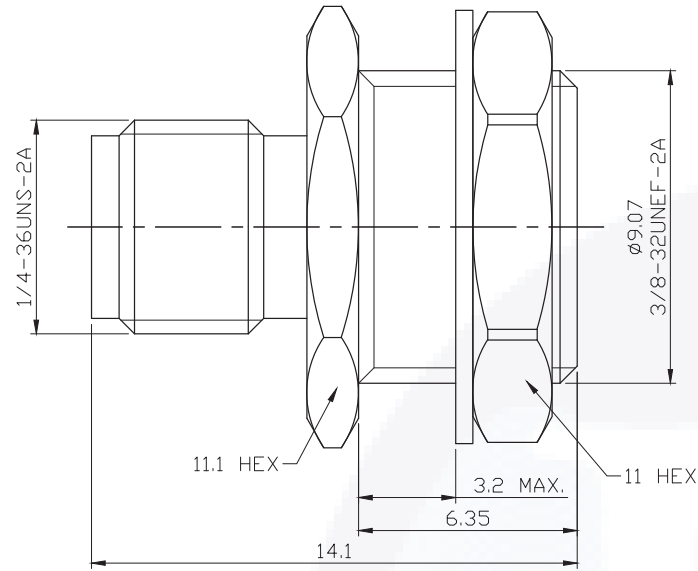
The HASCO **HAD-SMAJ-BMAJ-BH** is a general purpose SMA Female to BMA (Blind Mate) Female between-series bulkhead adapter from HASCO. This between-series coaxial adapter will operate up to 18 GHz.


The HAD-SMAJ-BMAJ-BH is RoHS compliant.



HASCO stocks an extensive selection of RF and Microwave between-series, in-series, right angle and low PIM adapters.

SMA Female to BMA (Blind Mate) Female Bulkhead Adapter | DC ~ 18 GHz | Outline Drawing



LTR	DESCRIPTION	DATE	APPR.	DRAWN BY: <i>JMS</i>	CHECKED BY: <i>JMS</i>		5214 Bonsai Street • Moorpark, CA 93021 (888) 498-3242 • sales@hasco-inc.com www.hasco-inc.com			
-	RELEASE	07/21	TAC	APPROVED BY: <i>TAC</i>						
				THESE DRAWINGS AND SPECIFICATIONS ARE THE PROPERTY OF HASCO COMPONENTS AND SHALL NOT BE REPRODUCED, COPIED NOR USED - IN WHOLE OR IN PART - AS THE BASIS FOR THE MANUFACTURE OR SALE OF OTHER ITEMS WITHOUT THE EXPRESS, WRITTEN PERMISSION OF HASCO COMPONENTS.			MATERIALS:	CAGE CODE:	SCALE:	SIZE:
							SEE DATA SHEET	OT8L4	N/A	A
							FINISHES:	PART NO./DRAWING NO.		REV:
							SEE DATA SHEET	HAD-SMAJ-BMAJ-BH		-
THIS DRAWING IS A CONTROLLED DOCUMENT										