

Part No:

HAD-SMAJ-BMAP



SMA Female to BMA Male General Purpose Adapter - 18 GHz

Electrical

- Impedance 50 Ohms
- Frequency Range DC - 18 GHz
- VSWR 1.20:1 Max

Material

Note: All plating thickness values are in micro-inches.

- Body Passivated Stainless Steel
- Contact Pin BeCu (Plating: Gold 20 over Nickel 50 over Copper 50)
- Insulator Teflon

The HASCO **HAD-SMAJ-BMAP** is a general purpose SMA Female to BMA (Blind Mate) Male between-series adapter from HASCO. This between-series coaxial adapter will operate up to 18 GHz.

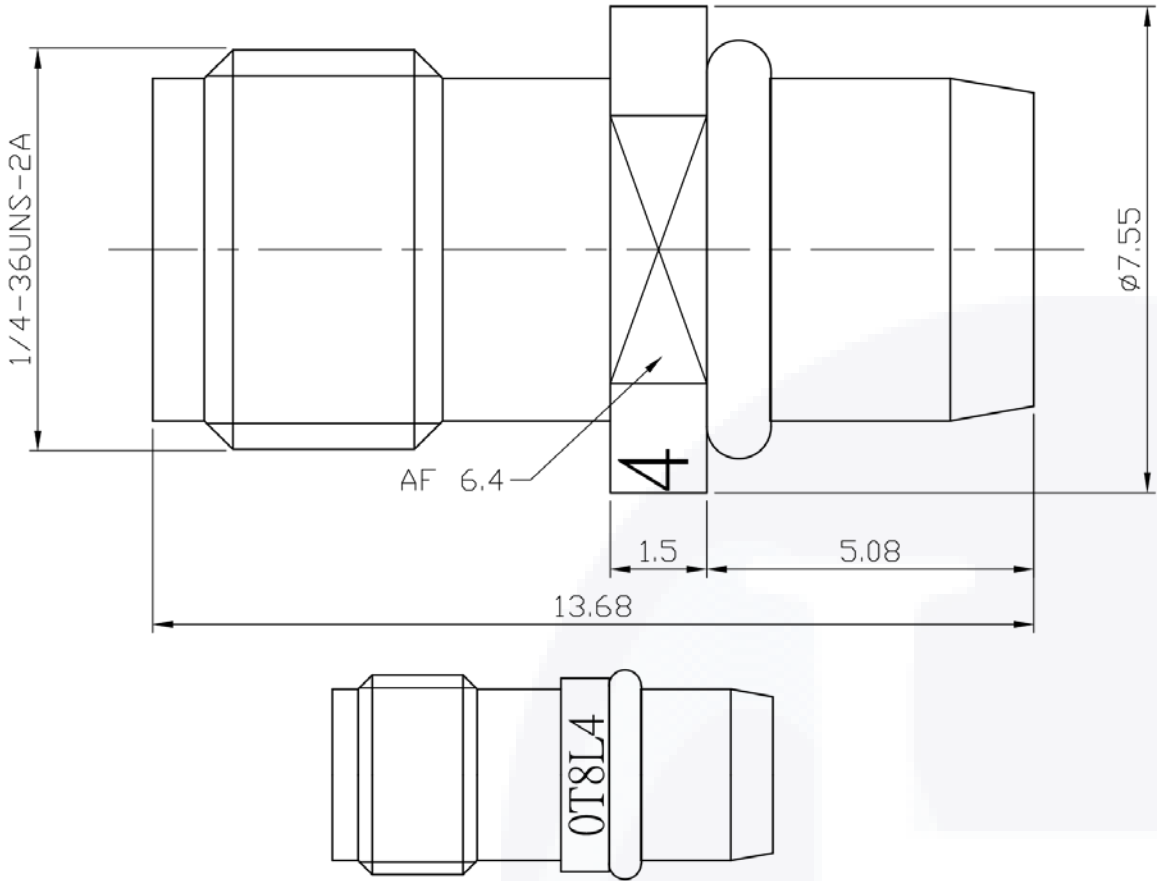
Adapters that have a male to female or plug to jack configuration are known as “connector savers.” Typically, a low loss or low VSWR adapter is placed on more expensive component connectors to prevent damage.

The HAD-SMAJ-BMAP is RoHS compliant.



HASCO stocks an extensive selection of RF and Microwave between-series, in-series, right angle and low PIM adapters.

SMA Female to BMA (Blind Mate) Male Adapter | DC ~ 18 GHz | Outline Drawing



LTR	DESCRIPTION	DATE	APPR.	DRAWN BY: JMS	CHECKED BY: JMS
-	RELEASE	07/21	TAC	APPROVED BY: TAC	
				THESE DRAWINGS AND SPECIFICATIONS ARE THE PROPERTY OF HASCO COMPONENTS AND SHALL NOT BE REPRODUCED, COPIED NOR USED - IN WHOLE OR IN PART - AS THE BASIS FOR THE MANUFACTURE OR SALE OF OTHER ITEMS WITHOUT THE EXPRESS, WRITTEN PERMISSION OF HASCO COMPONENTS.	
THIS DRAWING IS A CONTROLLED DOCUMENT					



5214 Bonsai Street • Moorpark, CA 93021
 (888) 498-3242 • sales@hasco-inc.com
www.hasco-inc.com

MATERIALS: SEE DATA SHEET	CAGE CODE: 0T8L4	SCALE: N/A	SIZE: A
FINISHES: SEE DATA SHEET	PART NO./DRAWING NO. HAD-SMAJ-BMAP		REV: -