

Part No:

HAD-SMAJ-HUMCP



SMA Female to HUMC Male General Purpose Adapter - 6 GHz

Electrical

- Impedance 50 Ohms
- Frequency Range DC - 6 GHz
- VSWR 1.20:1 Max

Material

Note: All plating thickness values are in micro-inches.

- SMA Body Brass (Plating: Gold 4 over Nickel-Phosphorus Alloy 80 over Copper 20)
- HUMC Body BeCu (Plating: Gold 4 over Nickel-Phosphorus Alloy 80 over Copper 20)
- Contact Pin BeCu (Plating: Gold 4 over Nickel-Phosphorus Alloy 80 over Copper 20)
- Insulator Teflon

The HASCO **HAD-SMAJ-HUMCP** is a general purpose SMA Female to HUMC Male between-series adapter from HASCO. This between-series coaxial adapter will operate up to 6 GHz. The HUMC mates with U.FL, IPEX, UMCC, UMCX, and other U.FL compatible connectors.

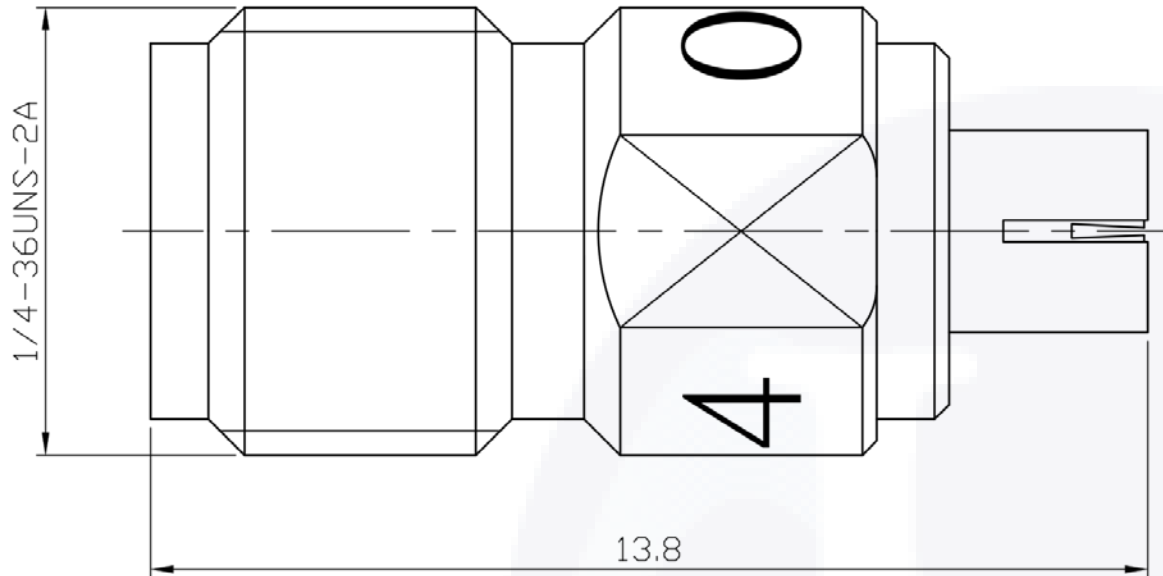
Adapters that have a male to female or plug to jack configuration are known as “connector savers.” Typically, a low loss or low VSWR adapter is placed on more expensive component connectors to prevent damage.


The HAD-SMAJ-HUMCP is RoHS compliant.



HASCO stocks an extensive selection of RF and Microwave between-series, in-series, right angle and low PIM adapters.

SMA Female to HUMC Male Adapter | DC ~ 6 GHz | Outline Drawing



LTR	DESCRIPTION	DATE	APPR.	DRAWN BY: <i>JMS</i>	CHECKED BY: <i>JMS</i>		5214 Bonsai Street • Moorpark, CA 93021 (888) 498-3242 • sales@hasco-inc.com www.hasco-inc.com			
-	RELEASE	07/21	TAC	APPROVED BY: <i>TAC</i>						
				THESE DRAWINGS AND SPECIFICATIONS ARE THE PROPERTY OF HASCO COMPONENTS AND SHALL NOT BE REPRODUCED, COPIED NOR USED - IN WHOLE OR IN PART - AS THE BASIS FOR THE MANUFACTURE OR SALE OF OTHER ITEMS WITHOUT THE EXPRESS, WRITTEN PERMISSION OF HASCO COMPONENTS.			MATERIALS:	CAGE CODE:	SCALE:	SIZE:
							SEE DATA SHEET	OT8L4	N/A	A
							FINISHES:	PART NO./DRAWING NO.		REV:
							SEE DATA SHEET	HAD-SMAJ-HUMCP		-
THIS DRAWING IS A CONTROLLED DOCUMENT										