

Part No:

HAD-SMAJ-SMPJ



SMA Female to SMP Female General Purpose Adapter - 27 GHz

Electrical

- Impedance 50 Ohms
- Frequency Range DC - 27 GHz
- VSWR 1.15:1 Max
- Temperature Range -55°C to +105°C
- Matings ≥ 500

Material

Note: All plating thickness values are in micro-inches.

- SMA Body Passivated Stainless Steel
- SMP Body BeCu (Plating: Gold 4 over Nickel-Phosphorus Alloy 80 over Copper 20)
- Ring Brass (Plating: Gold 4 over Nickel-Phosphorus Alloy 80 over Copper 20)
- Contact Pin BeCu (Plating: Gold 4 over Nickel-Phosphorus Alloy 80 over Copper 20)
- Insulator Teflon (SMA), PPO (SMP)

The HASCO **HAD-SMAJ-SMPJ** is a general purpose SMA Female to SMP Female between-series adapter from HASCO. This between-series coaxial adapter will operate up to 27 GHz.

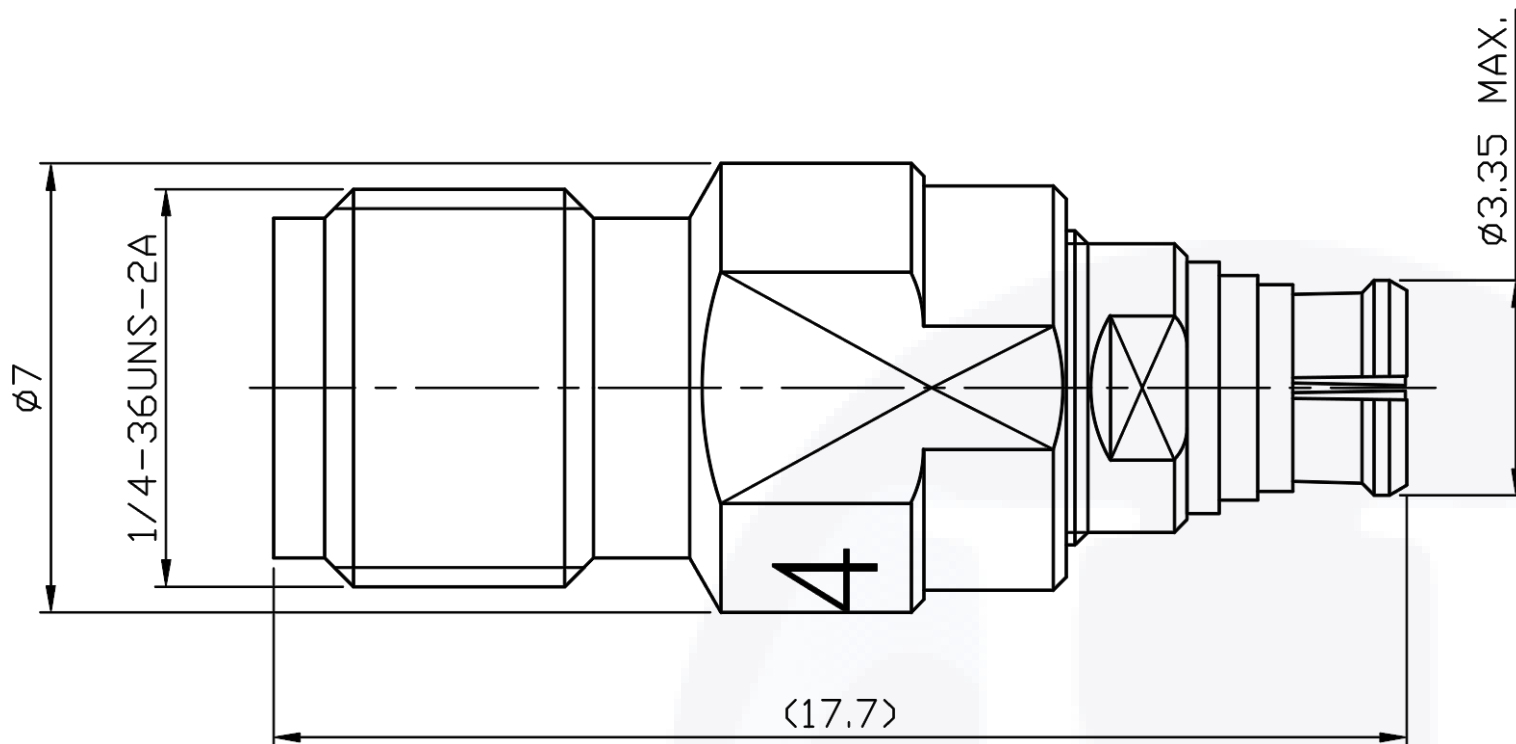
Adapters that have a male to female or plug to jack configuration are known as “connector savers.” Typically, a low loss or low VSWR adapter is placed on more expensive component connectors to prevent damage.


The HAD-SMAJ-SMPJ is RoHS compliant.



HASCO stocks an extensive selection of RF and Microwave between-series, in-series, right angle and low PIM adapters.

SMA Female to SMP Female Adapter | DC ~ 27 GHz | Outline Drawing



LTR	DESCRIPTION	DATE	APPR.	DRAWN BY: <i>JMS</i>	CHECKED BY: <i>JMS</i>	 <p>5214 Bonsai Street • Moorpark, CA 93021 (888) 498-3242 • sales@hasco-inc.com www.hasco-inc.com</p>			
-	RELEASE	07/21	TAC	APPROVED BY: <i>TAC</i>					
				THESE DRAWINGS AND SPECIFICATIONS ARE THE PROPERTY OF HASCO COMPONENTS AND SHALL NOT BE REPRODUCED, COPIED NOR USED - IN WHOLE OR IN PART - AS THE BASIS FOR THE MANUFACTURE OR SALE OF OTHER ITEMS WITHOUT THE EXPRESS, WRITTEN PERMISSION OF HASCO COMPONENTS.		MATERIALS: SEE DATA SHEET	CAGE CODE: OT8L4	SCALE: N/A	SIZE: A
						FINISHES: SEE DATA SHEET	PART NO./DRAWING NO. HAD-SMAJ-SMPJ	REV: -	
THIS DRAWING IS A CONTROLLED DOCUMENT									