

Part No:

# HAD-SMAJ-SSMAP



## *SMA Female to SSMA Male General Purpose Adapter - 18 GHz*

### Electrical

- Impedance 50 Ohms
- Frequency Range DC - 18 GHz
- VSWR 1.20:1 Max

### Material

Note: All plating thickness values are in micro-inches.

- SMA Body Brass (Plating: Gold 5 over Nickel 50 over Copper 50)
- SSMA Body & Coupling Nut Brass (Plating: Gold 5 over Nickel 50 over Copper 50)
- Contact Pin BeCu (Plating: Gold 10 over Nickel 50 over Copper 50)
- Retainer Ring BeCu (Plating: Tin-Zinc-Copper Alloy 100 over Copper 50)
- Insulator Teflon
- Gasket Silicon

The HASCO **HAD-SMAJ-SSMAP** is a general purpose SMA Female to SSMA Male between-series adapter from HASCO. This between-series coaxial adapter will operate up to 18 GHz.

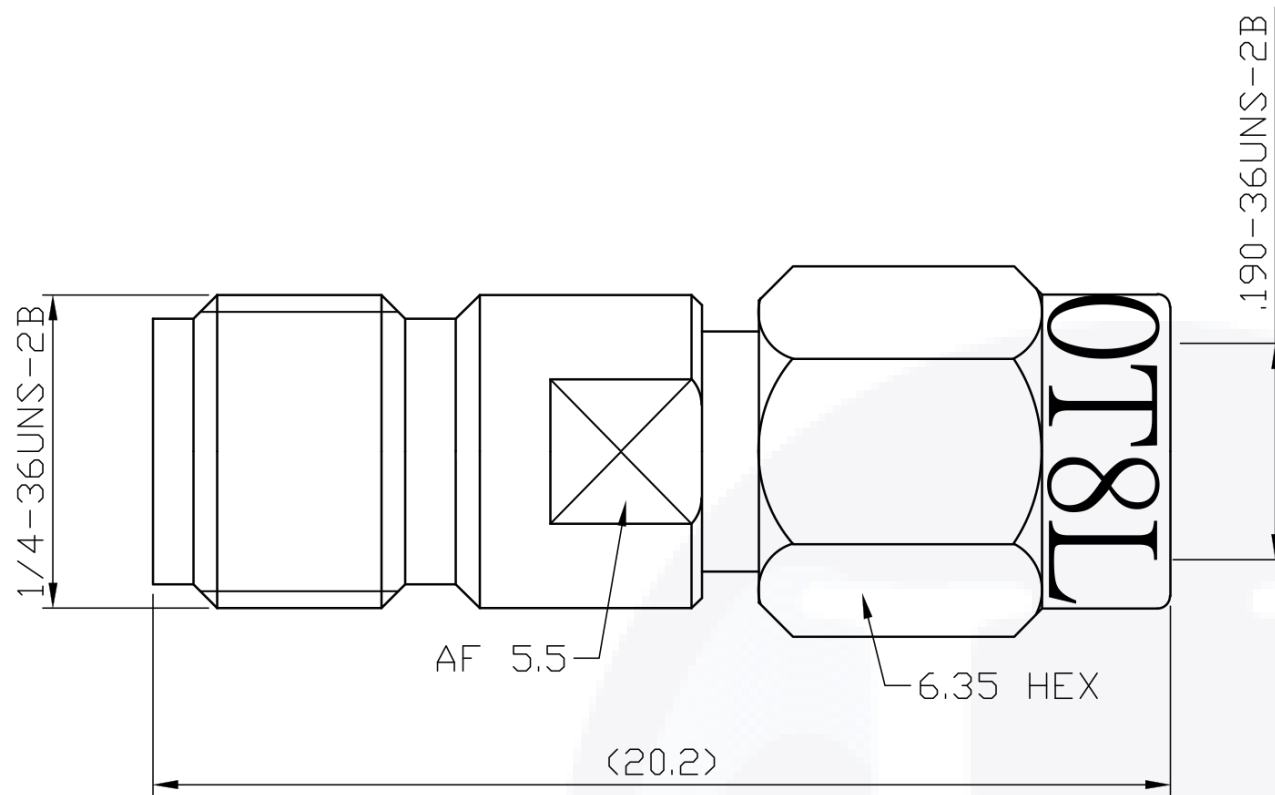
Adapters that have a male to female or plug to jack configuration are known as “connector savers.” Typically, a low loss or low VSWR adapter is placed on more expensive component connectors to prevent damage.


The HAD-SMAJ-SSMAP is RoHS compliant.



HASCO stocks an extensive selection of RF and Microwave between-series, in-series, right angle and low PIM adapters.

SMA Female to SSMA Male Adapter | DC ~ 18 GHz | Outline Drawing



LTR	DESCRIPTION	DATE	APPR.	DRAWN BY: <i>JMS</i>	CHECKED BY: <i>JMS</i>	 <p>5214 Bonsai Street • Moorpark, CA 93021 (888) 498-3242 • sales@hasco-inc.com <a href="http://www.hasco-inc.com">www.hasco-inc.com</a></p>				
-	RELEASE	07/21	TAC	APPROVED BY: <i>TAC</i>						
				THESE DRAWINGS AND SPECIFICATIONS ARE THE PROPERTY OF HASCO COMPONENTS AND SHALL NOT BE REPRODUCED, COPIED NOR USED - IN WHOLE OR IN PART - AS THE BASIS FOR THE MANUFACTURE OR SALE OF OTHER ITEMS WITHOUT THE EXPRESS, WRITTEN PERMISSION OF HASCO COMPONENTS.		MATERIALS: <b>SEE DATA SHEET</b>	CAGE CODE: 0T8L4	SCALE: N/A	SIZE: A	
						FINISHES: <b>SEE DATA SHEET</b>	PART NO./DRAWING NO. <b>HAD-SMAJ-SSMAP</b>		REV: -	
THIS DRAWING IS A CONTROLLED DOCUMENT										