

Part No:

HAD-SMAJNJ-P4-18G



SMA Female to N Female 4-Hole Flange Adapter - 18 GHz

Electrical

- Impedance 50 Ohms
- Frequency Range DC - 18 GHz
- VSWR 1.15:1 Max
- Temperature Rating -65°C to +165C

Material

- SMA Body Passivated Stainless Steel
- N Body Passivated Stainless Steel
- Contact Pin BeCu (Plating: Gold 4 over Nickel Phosphorus Alloy 80 over Copper 20)
- Insulator PTFE

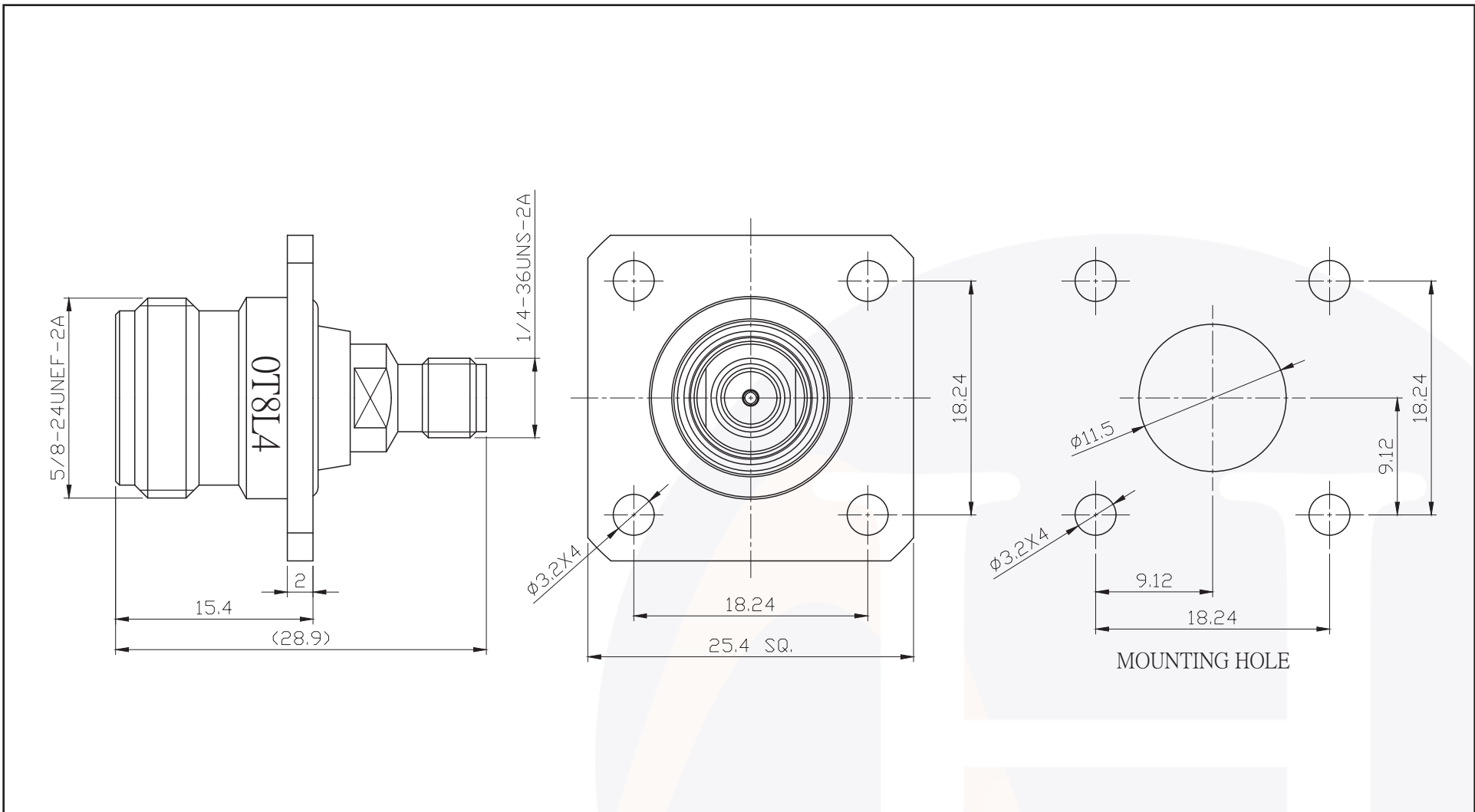
The HASCO HAD-SMAJNJ-P4-18G is a general purpose SMA Female to N Female between-series adapter from HASCO. This between-series coaxial adapter will operate up to 18 GHz.


The HAD-SMAJNJ-P4-18G is RoHS compliant.



HASCO stocks an extensive selection of RF and Microwave between series, in-series, right angle and low PIM adapters.

SMA Female to N Female Adapter | DC - 18 GHz | Outline Drawing



LTR	DESCRIPTION	DATE	APPR.	DRAWN BY: JS	REVIEWED BY: JS	 <p>5214 Bonsai Street • Moorpark, CA 93021 (888) 498-3242 • sales@hasco-inc.com www.hasco-inc.com</p>
-	RELEASE	10/1/23	TC		APPROVED BY: TC	
				THESE DRAWINGS AND SPECIFICATIONS ARE THE PROPERTY OF HASCO COMPONENTS AND SHALL NOT BE REPRODUCED, COPIED NOR USED - IN WHOLE OR IN PART - AS THE BASIS FOR THE MANUFACTURE OR SALE OF OTHER ITEMS WITHOUT THE EXPRESS, WRITTEN PERMISSION OF HASCO COMPONENTS.		MATERIALS: SEE DATA SHEET
						CAGE CODE: 0T8L4
						SCALE: N/A
						SIZE: A
						FINISHES: SEE DATA SHEET
						PART NO./DRAWING NO. HAD-SMAJNJ-P4-18G
						REV: A
THIS DRAWING IS A CONTROLLED DOCUMENT						