

Part No:

HAD-SMAP-BMAP



SMA Male to BMA Male General Purpose Adapter - 18 GHz

Electrical

• Impedance	50 Ohms
• Frequency Range	DC - 18 GHz
• VSWR	1.20:1 Max
• Temperature Range	-65°C to +165°C
• Matings	≥500

Material

Note: All plating thickness values are in micro-inches.

• Body & Coupling Nut	Passivated Stainless Steel
• Contact Pin	Brass (Plating: Gold 4 over Nickel Phosphorus Alloy 80 over Copper 20)
• Retainer Ring	BeCu (Plating: Tin-Zinc-Copper Alloy 100 over Copper 50)
• Insulator	Teflon
• Gasket	Silicon

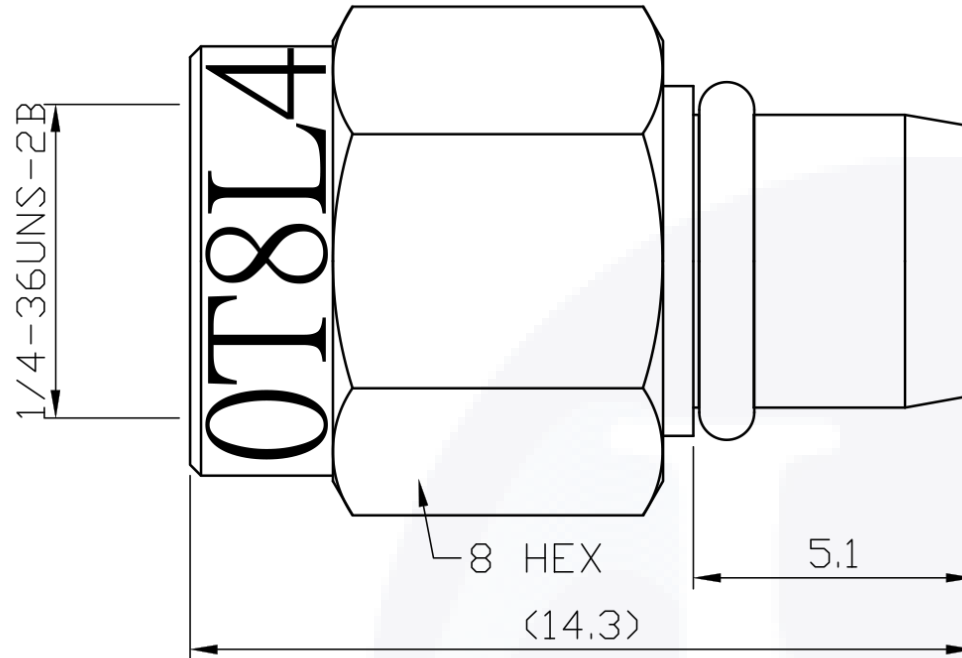
The HASCO **HAD-SMAP-BMAP** is a general purpose SMA Male to BMA Male between-series adapter from HASCO. This between-series coaxial adapter will operate up to 18 GHz.


The HAD-SMAP-BMAP is RoHS compliant.



HASCO stocks an extensive selection of RF and Microwave between-series, in-series, right angle and low PIM adapters.

SMA Male to BMA Male Adapter | DC ~ 18 GHz | Outline Drawing



LTR	DESCRIPTION	DATE	APPR.	DRAWN BY: <i>JMS</i>	CHECKED BY: <i>JMS</i>	 <p>5214 Bonsai Street • Moorpark, CA 93021 (888) 498-3242 • sales@hasco-inc.com www.hasco-inc.com</p>			
-	RELEASE	07/21	TAC	APPROVED BY: <i>TAC</i>					
				THESE DRAWINGS AND SPECIFICATIONS ARE THE PROPERTY OF HASCO COMPONENTS AND SHALL NOT BE REPRODUCED, COPIED NOR USED - IN WHOLE OR IN PART - AS THE BASIS FOR THE MANUFACTURE OR SALE OF OTHER ITEMS WITHOUT THE EXPRESS, WRITTEN PERMISSION OF HASCO COMPONENTS.		MATERIALS: SEE DATA SHEET	CAGE CODE: OT8L4	SCALE: N/A	SIZE: A
						FINISHES: SEE DATA SHEET	PART NO./DRAWING NO. HAD-SMAP-BMAP	REV: -	
THIS DRAWING IS A CONTROLLED DOCUMENT									