

Part No:

HAD-SMAP-SMAJ-MF-45



45° Angle SMA Male to SMA Female Adapter - 27 GHz

Features

- RoHS Compliant
- Thermal Shock: MIL-STD-202, Method 107, Cond. B
- Moisture Resistance: MIL-STD-202, Method 106
- Corrosion: MIL-STD-202, Method 101, Cond. B

The HAD-SMAP-SMAJ-MF-45 is a SMA Male to SMA Female 45° angle in-series adapter manufactured by HASCO Components. This in-series SMA to SMA coax adapter will operate up to 27 GHz and offers a VSWR of 1.15:1. Adapters that have a male to female or plug to jack configuration are known as “connector savers.” Typically, a low loss or low VSWR male to female adapter is placed on more expensive component connectors to prevent damage.

Electrical

- Impedance 50 Ω
- Frequency Range DC - 27 GHz
- VSWR 1.15:1 Max
- Insertion Loss $\leq 0.06 \times \sqrt{f(\text{GHz})}$ dB
- Insulation Resistance $\geq 5000\text{M}\Omega$
- Diel. Withstanding Voltage 1500 V rms
- Working Voltage 500 V rms

Mechanical

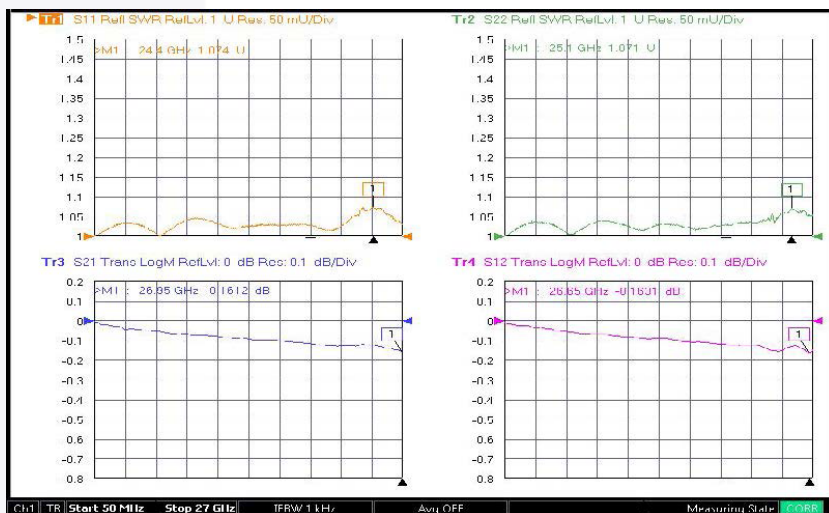
- Coupling Nut Torque 7 to 9.5 in-lbs
- Coupling Proof Torque 15 in-lbs
- Coupling Nut Retention ≥ 60.7 lbs
- Coupling Captivation Axial ≥ 6.1 lbs
- Durability ≥ 500 cycles

Environmental

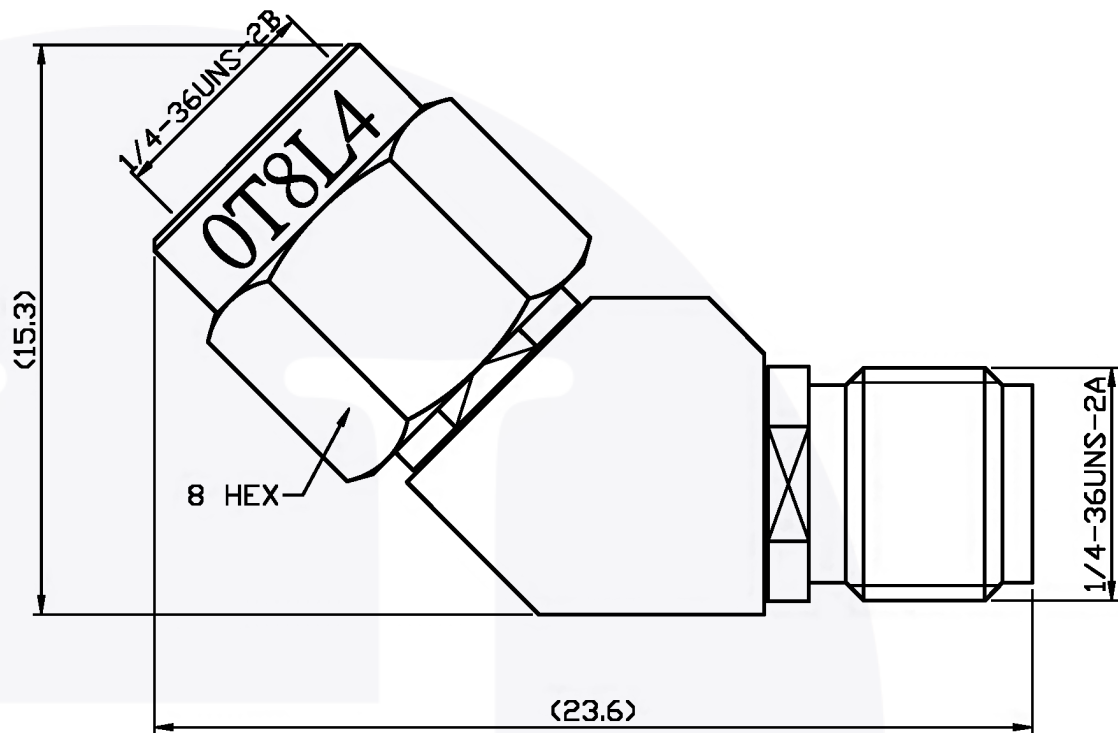
- Temperature Range -65°C to 165°C

Material

- Connector Body & Nut Passivated Stainless Steel
- Dielectric PTFE
- Center Contact Gold Plated BeCu
- Gasket Silicone
- Retainer Ring Tin-Zinc-Copper Alloy over Copper plated BeCu



45° Angle SMA Male to SMA Female Adapter | DC - 27 GHz | Outline Drawing



LTR	DESCRIPTION	DATE	APPR.	DRAWN BY: NS	REVIEWED BY: JS
-	RELEASE	5/26	TC		APPROVED BY: TC
				THESE DRAWINGS AND SPECIFICATIONS ARE THE PROPERTY OF HASCO COMPONENTS AND SHALL NOT BE REPRODUCED, COPIED NOR USED - IN WHOLE OR IN PART - AS THE BASIS FOR THE MANUFACTURE OR SALE OF OTHER ITEMS WITHOUT THE EXPRESS, WRITTEN PERMISSION OF HASCO COMPONENTS.	
THIS DRAWING IS A CONTROLLED DOCUMENT					



5214 Bonsai Avenue • Moorpark, CA 93021
 (888) 498-3242 • sales@hasco-inc.com
www.hasco-inc.com

MATERIALS: SEE DATA SHEET	CAGE CODE: 0T8L4	SCALE: N/A	SIZE: A
FINISHES: SEE DATA SHEET	PART NO./DRAWING NO. HAD-SMAP-SMAJ-MF-45		REV: -