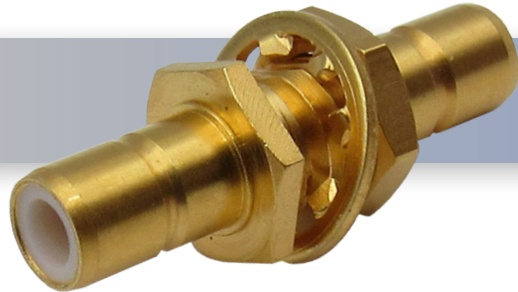


Part No:

# HAD-SMBJ-SMBJ-BH



## *SMB Female to SMB Female General Purpose Bulkhead Adapter - 4 GHz*

### Electrical

- Impedance 50 Ohms
- Frequency Range DC - 4 GHz
- VSWR 1.20:1 Max

### Material

Note: All plating thickness values are in micro-inches.

- Body Brass (Plating: Gold 4 over Nickel Phosphorus Alloy 80 over Copper 20)
- Contact Pin Brass (Plating: Gold 4 over Nickel Phosphorus Alloy 80 over Copper 20)
- Insulator Teflon

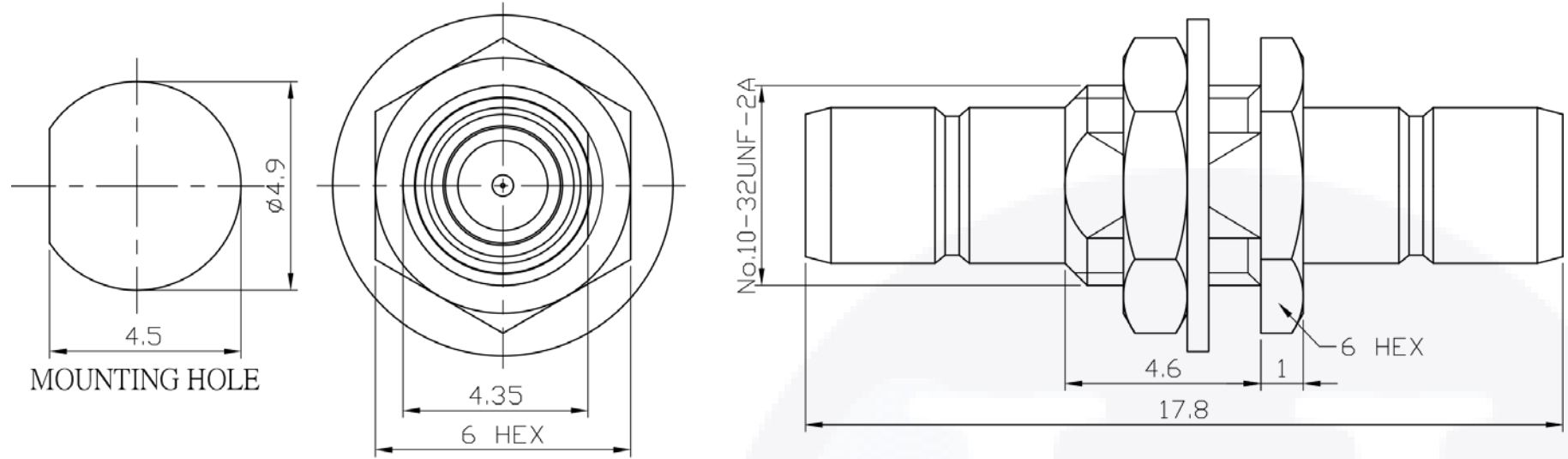
The HASCO **HAD-SMBJ-SMBJ-BH** is a general purpose SMB Female to SMB Female in-series adapter from HASCO. This in-series coaxial adapter will operate up to 4 GHz.


The HAD-SMBJ-SMBJ-BH is RoHS compliant.



HASCO stocks an extensive selection of RF and Microwave between-series, in-series, right angle and low PIM adapters.

# SMB Female to SMB Female Bulkhead Adapter | DC ~ 4 GHz | Outline Drawing



LTR	DESCRIPTION	DATE	APPR.	DRAWN BY: <i>JMS</i>	CHECKED BY: <i>JMS</i>		5214 Bonsai Street • Moorpark, CA 93021 (888) 498-3242 • sales@hasco-inc.com <a href="http://www.hasco-inc.com">www.hasco-inc.com</a>			
-	RELEASE	07/21	TAC	APPROVED BY: <i>TAC</i>						
				THESE DRAWINGS AND SPECIFICATIONS ARE THE PROPERTY OF HASCO COMPONENTS AND SHALL NOT BE REPRODUCED, COPIED NOR USED - IN WHOLE OR IN PART - AS THE BASIS FOR THE MANUFACTURE OR SALE OF OTHER ITEMS WITHOUT THE EXPRESS, WRITTEN PERMISSION OF HASCO COMPONENTS.			MATERIALS:	CAGE CODE:	SCALE:	SIZE:
							SEE DATA SHEET	0T8L4	N/A	A
							FINISHES:	PART NO./DRAWING NO.		REV:
							SEE DATA SHEET	<b>HAD-SMBJ-SMBJ-BH</b>		-
THIS DRAWING IS A CONTROLLED DOCUMENT										