

Part No:

HAD-SMBP-SMBP



SMB Male to SMB Male General Purpose Adapter - 4 GHz

Electrical

- Impedance 50 Ohms
- Frequency Range DC - 4 GHz
- VSWR 1.20:1 Max

Material

Note: All plating thickness values are in micro-inches.

- Body & Coupling Nut Brass (Plating: Gold 4 over Nickel Phosphorus Alloy 80 over Copper 20)
- Contact Pin BeCu (Plating: Gold 4 over Nickel Phosphorus Alloy 80 over Copper 20)
- Insulator Teflon

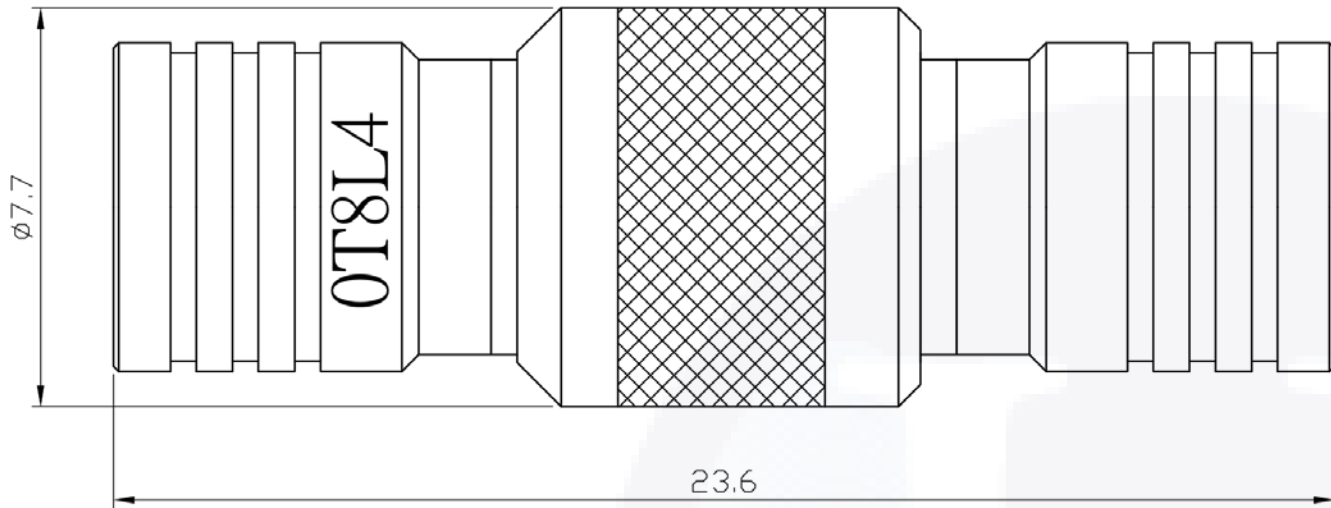
The HASCO **HAD-SMBP-SMBP** is a general purpose SMB Male to SMB Male in-series adapter from HASCO. This in-series coaxial adapter will operate up to 4 GHz.


The HAD-SMBP-SMBP is RoHS compliant.



HASCO stocks an extensive selection of RF and Microwave between-series, in-series, right angle and low PIM adapters.

SMB Male to SMB Male Adapter | DC ~ 4 GHz | Outline Drawing



LTR	DESCRIPTION	DATE	APPR.	DRAWN BY: JMS	CHECKED BY: JMS		5214 Bonsai Street • Moorpark, CA 93021 (888) 498-3242 • sales@hasco-inc.com www.hasco-inc.com		
-	RELEASE	07/21	TAC	APPROVED BY: TAC					
				THESE DRAWINGS AND SPECIFICATIONS ARE THE PROPERTY OF HASCO COMPONENTS AND SHALL NOT BE REPRODUCED, COPIED NOR USED - IN WHOLE OR IN PART - AS THE BASIS FOR THE MANUFACTURE OR SALE OF OTHER ITEMS WITHOUT THE EXPRESS, WRITTEN PERMISSION OF HASCO COMPONENTS.		MATERIALS:	CAGE CODE:	SCALE:	SIZE:
						SEE DATA SHEET	0T8L4	N/A	A
						FINISHES:	PART NO./DRAWING NO.	REV:	
						SEE DATA SHEET	HAD-SMBP-SMBP	-	
THIS DRAWING IS A CONTROLLED DOCUMENT									