

Part No:

# HAD-TNCJ-TNCJ-BH



## TNC Female to TNC Female Bulkhead General Purpose Adapter - 11 GHz

### Electrical

- Impedance 50 Ohms
- Frequency Range DC - 11 GHz
- VSWR 1.20:1 Max
- Operating Temperature -65°C to +165°C

### Material

Note: All plating thickness values are in micro-inches.

- Body Brass (Plating: Tin-Zinc-Copper Alloy 100 over Copper 50)
- Hex Nut & Washer Brass (Plating: Tin-Zinc-Copper Alloy 100 over Copper 50)
- Contact Pin Phosphor Bronze (Plating: Gold 4 over Nickel Phosphorous Alloy 80 over Copper 20)
- Insulator Teflon
- Gasket Silicone

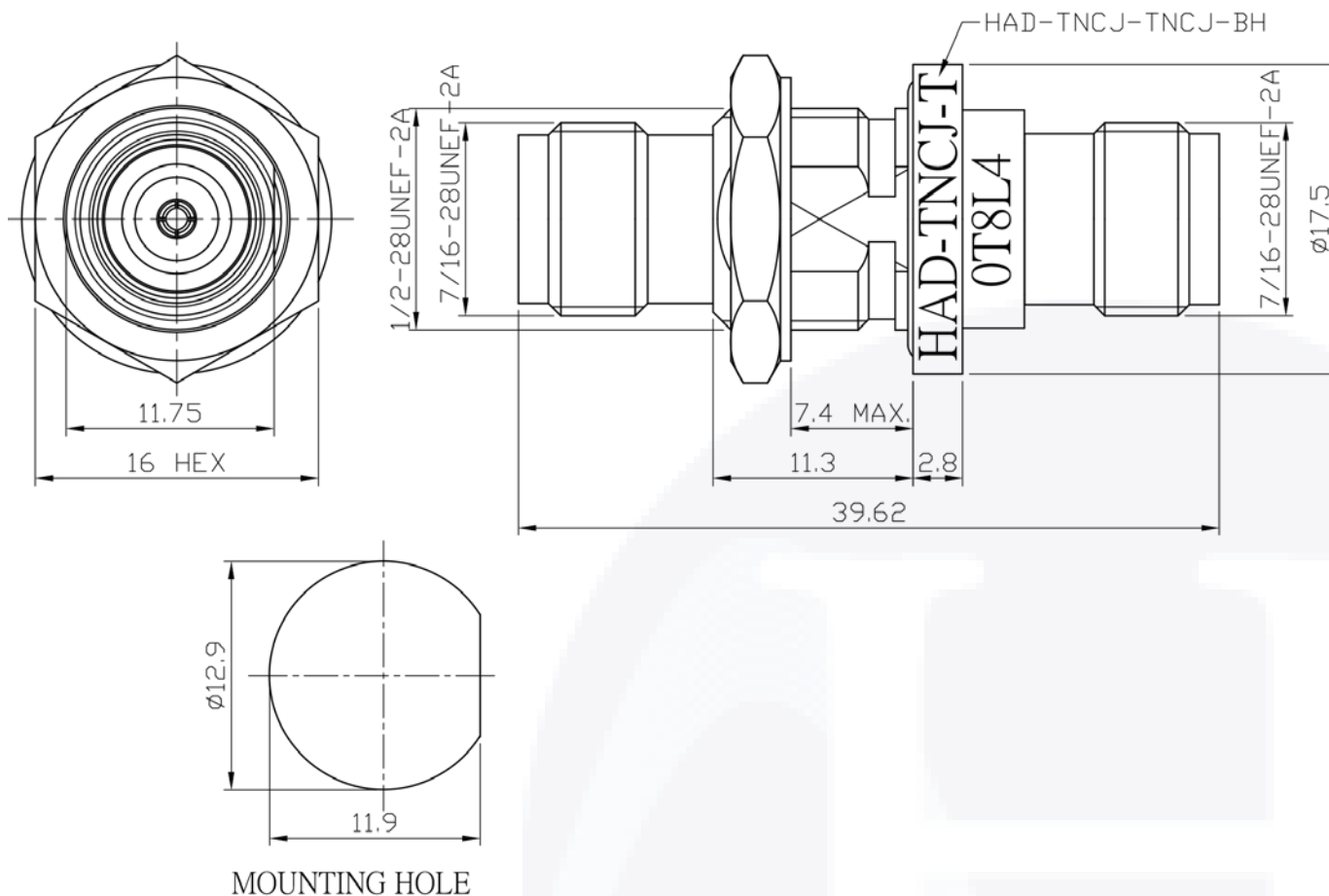
The HASCO **HAD-TNCJ-TNCJ-BH** is a general purpose TNC Female to TNC Female in-series bulkhead adapter from HASCO. This in-series coaxial adapter will operate up to 11 GHz.

The HAD-TNCJ-TNCJ-BH is RoHS compliant.



HASCO stocks an extensive selection of RF and Microwave between-series, in-series, right angle and low PIM adapters.

# TNC Female to TNC Female Bulkhead Adapter | DC ~ 11 GHz | Outline Drawing



LTR	DESCRIPTION	DATE	APPR.	DRAWN BY: <i>JMS</i>	CHECKED BY: <i>JMS</i>
-	RELEASE	07/21	TAC	APPROVED BY: <i>TAC</i>	
				THESE DRAWINGS AND SPECIFICATIONS ARE THE PROPERTY OF HASCO COMPONENTS AND SHALL NOT BE REPRODUCED, COPIED NOR USED - IN WHOLE OR IN PART - AS THE BASIS FOR THE MANUFACTURE OR SALE OF OTHER ITEMS WITHOUT THE EXPRESS, WRITTEN PERMISSION OF HASCO COMPONENTS.	
THIS DRAWING IS A CONTROLLED DOCUMENT					



5214 Bonsai Street • Moorpark, CA 93021  
 (888) 498-3242 • sales@hasco-inc.com  
[www.hasco-inc.com](http://www.hasco-inc.com)

MATERIALS: SEE DATA SHEET	CAGE CODE: 0T8L4	SCALE: N/A	SIZE: A
FINISHES: SEE DATA SHEET	PART NO./DRAWING NO. <b>HAD-TNCJ-TNCJ-BH</b>		REV: -