

Part No:

HAD-TNCP-TNCJ



TNC Male to TNC Female General Purpose Adapter - 11 GHz

Electrical

- Impedance 50 Ohms
- Frequency Range DC - 11 GHz
- VSWR 1.20:1 Max
- Operating Temperature -65°C to +165°C

Material

Note: All plating thickness values are in micro-inches.

- Body & Coupling Nut Brass (Plating: Tin-Zinc-Copper Alloy 100 over Copper 50)
- Washer & Lock Washer Brass (Plating: Tin-Zinc-Copper Alloy 100 over Copper 50)
- Contact Pin BeCu (Plating: Gold 4 over Nickel Phosphorous Alloy 80 over Copper 20)
- Insulator Teflon
- Gasket Silicone
- Ring Delrin

The HASCO **HAD-TNCP-TNCJ** is a general purpose TNC Male to TNC Female in-series adapter from HASCO. This in-series coaxial adapter will operate up to 11 GHz.

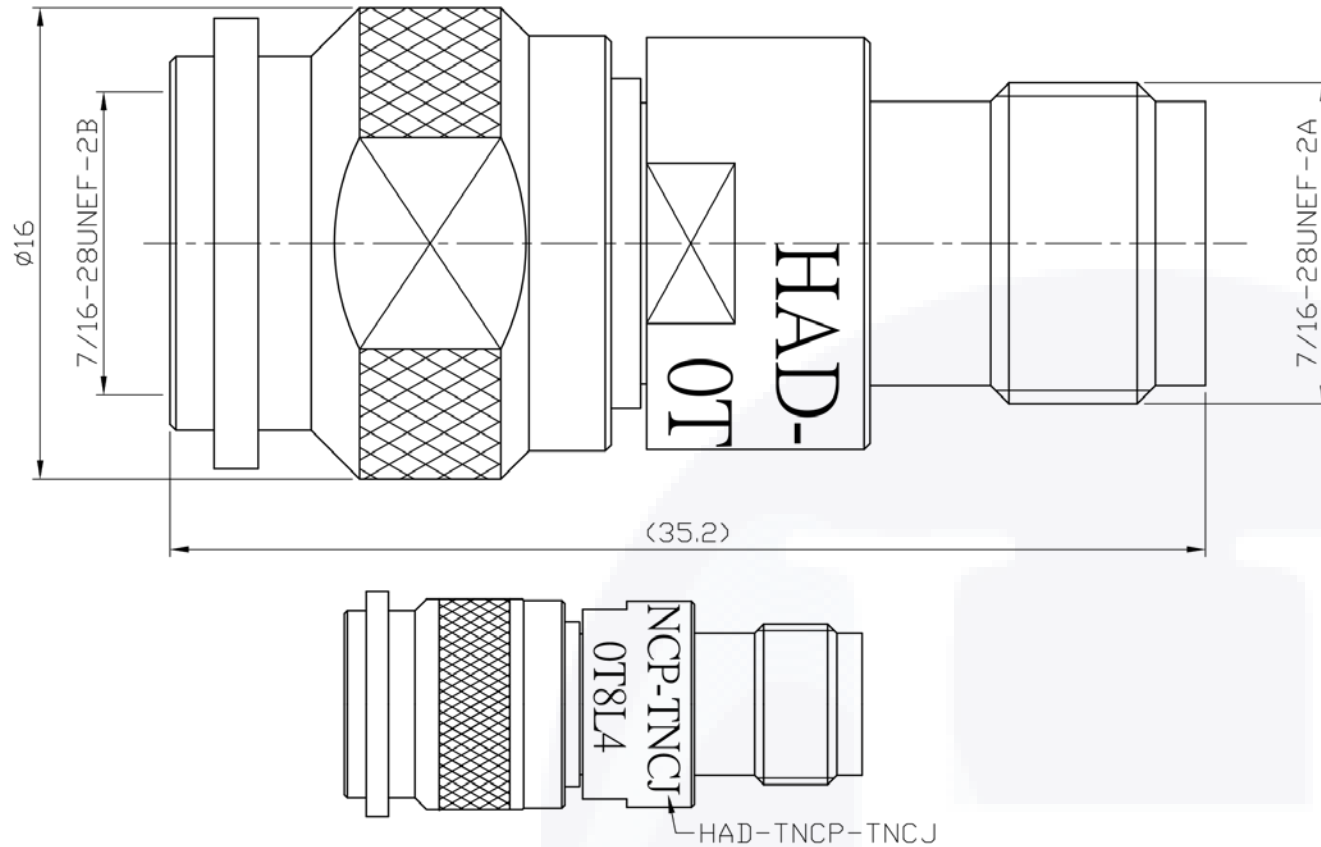
Adapters that have a male to female or plug to jack configuration are known as “connector savers.” Typically, a low loss or low VSWR adapter is placed on more expensive component connectors to prevent damage.

The HAD-TNCP-TNCJ is RoHS compliant.



HASCO stocks an extensive selection of RF and Microwave between-series, in-series, right angle and low PIM adapters.

TNC Male to TNC Female Adapter | DC ~ 11 GHz | Outline Drawing



LTR	DESCRIPTION	DATE	APPR.	DRAWN BY: JMS	CHECKED BY: JMS
-	RELEASE	07/21	TAC	APPROVED BY: TAC	
				THESE DRAWINGS AND SPECIFICATIONS ARE THE PROPERTY OF HASCO COMPONENTS AND SHALL NOT BE REPRODUCED, COPIED NOR USED - IN WHOLE OR IN PART - AS THE BASIS FOR THE MANUFACTURE OR SALE OF OTHER ITEMS WITHOUT THE EXPRESS, WRITTEN PERMISSION OF HASCO COMPONENTS.	
THIS DRAWING IS A CONTROLLED DOCUMENT					



5214 Bonsai Street • Moorpark, CA 93021
 (888) 498-3242 • sales@hasco-inc.com
www.hasco-inc.com

MATERIALS: SEE DATA SHEET	CAGE CODE: OT8L4	SCALE: N/A	SIZE: A
FINISHES: SEE DATA SHEET	PART NO./DRAWING NO. HAD-TNCP-TNCJ		REV: -