

Part No:

NP-SMAJ-MF-01



*Type N Male to SMA Female Precision Adapter
With Passivated Stainless Steel Body, DC - 18 GHz*

The HASCO **NP-SMAJ-MF-01** is a Type N Male to SMA Female Straight RF Precision Adapter that operates from DC to 18 GHz and offers 1.15:1 max VSWR.

The NP-SMAJ-MF-01 Adapter is RoHS Compliant.



HASCO stocks an extensive selection of RF and Microwave between-series, in-series, right angle, bulkhead and low PIM adapters. Adapters that have a male to female or plug to jack configuration are known as “connector savers.” Typically, a low loss or low VSWR adapter is placed on more expensive component connectors to prevent damage.

Electrical

- Frequency Range DC - 18 GHz
- VSWR DC - 18 GHz..... 1.15:1
- Impedance 50 Ohms
- Connector Durability 1,000 Cycles Min

Environmental Data

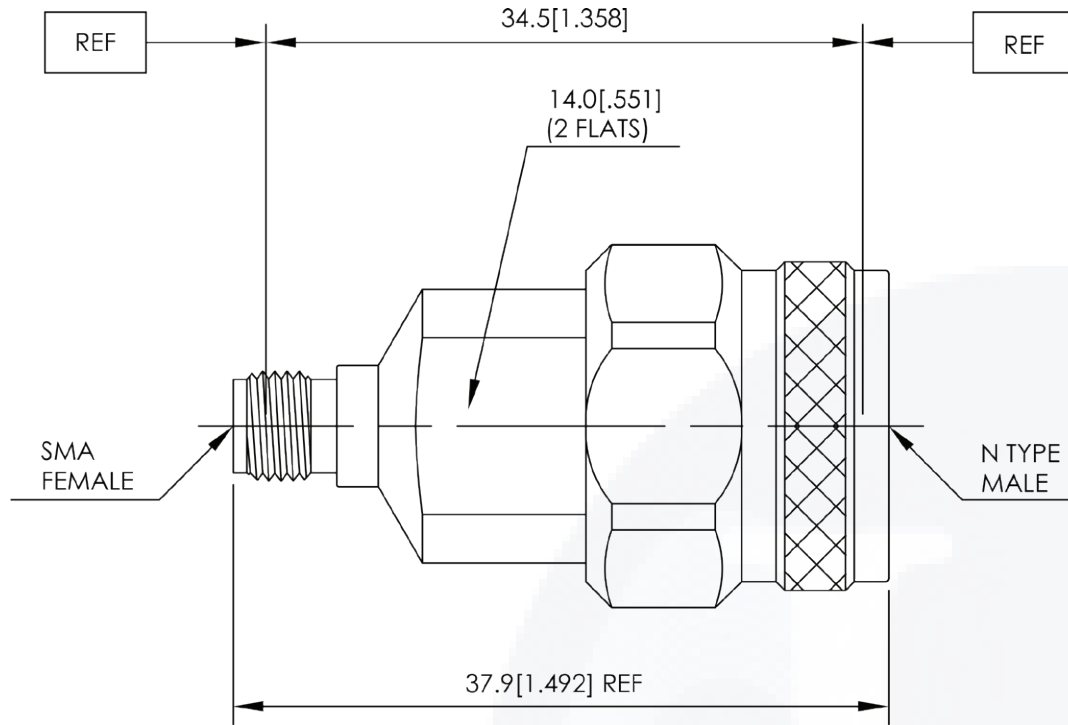
- Temperature Range -65°C to +165°C

Material


- Dielectric PEI & PTFE, Natural
- Center Conductor Gold Plated BeCu
- Body Passivated Stainless Steel

To view online, go to: <https://www.hasco-inc.com/adapters/n-male-to-sma-female-precision-adapter-dc-to-18-ghz-vswr-1-15-1/>

Type N Male to SMA Female Adapter | DC - 18 GHz | Outline Drawing



To view online, go to: <https://www.hasco-inc.com/adapters/n-male-to-sma-female-precision-adapter-dc-to-18-ghz-vswr-1-15-1/>

LTR	DESCRIPTION	DATE	APPR.	DRAWN BY: JMS	CHECKED BY: TAC				5214 Bonsai Street • Moorpark, CA 93021 (888) 498-3242 • sales@hasco-inc.com www.hasco-inc.com		
-	RELEASE	10/19	TAC	APPROVED BY: TAC							
				THESE DRAWINGS AND SPECIFICATIONS ARE THE PROPERTY OF HASCO COMPONENTS AND SHALL NOT BE REPRODUCED, COPIED NOR USED - IN WHOLE OR IN PART - AS THE BASIS FOR THE MANUFACTURE OR SALE OF OTHER ITEMS WITHOUT THE EXPRESS, WRITTEN PERMISSION OF HASCO COMPONENTS.			MATERIALS:	CAGE CODE:	SCALE:	SIZE:	
							SEE DATA SHEET	OT8L4	N/A	A	
							FINISHES:	PART NO./DRAWING NO.		REV:	
							SEE DATA SHEET	NP-SMAJ-MF-01		-	
THIS DRAWING IS A CONTROLLED DOCUMENT											