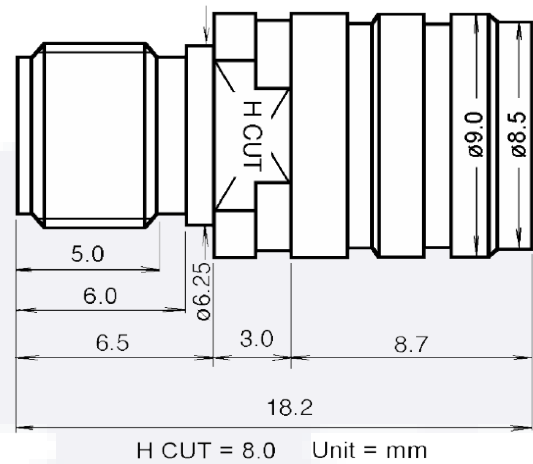




SMA Series Push-On Adapters • DC to 26.5 GHz

Part No: SMA-PJ-SO-18



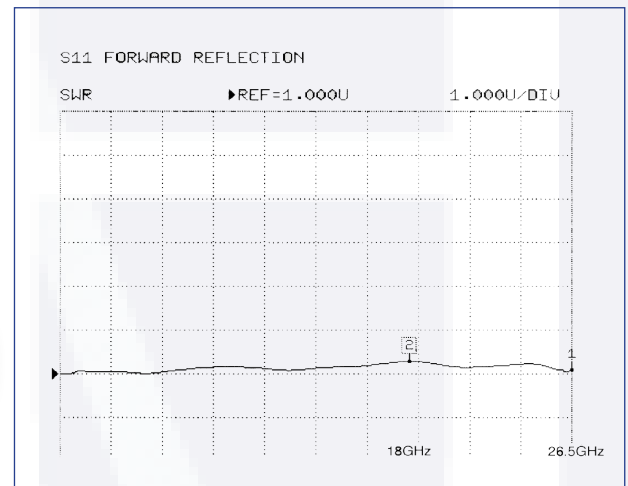
Electrical

- **Frequency Range** DC - 26.5 GHz
- **VSWR** DC - 18 GHz1.20:1
18 - 26.5 GHz .1.30:1
- **Insertion Loss** DC - 18 GHz.....0.1 dB MAX
18 - 26.5 GHz0.2 dB MAX
- **Impedence** 50 Ohms

Materials

- **Housing**
Passivated Stainless Steel
- **Center and Outer Conductor**
Beryllium Copper, Gold Plate
- **Dielectric**
Teflon

Improves productivity and Cost Savings!



Notes:

Not recommended for testing of PC Boards
Life: >3,000 Mates