

DC-27GHz -SMA HIGH FREQUENCY/HIGH PERFORMANCE CONNECTOR

21-921-4200-00

MATERIALS:

- SST. CORROSION-RESISTANT, NON MAGNETIC 303, PER ASTM A484 AND A582
- BERYLLIUM COPPER PER ASTM-B-196, QQ-C-530
- PTFE FLUOROCARBON PER ASTM-D-1710 TYPE 1
- SILICONE RUBBER ZZ-R-765,GR. 65-75,CL 2 B

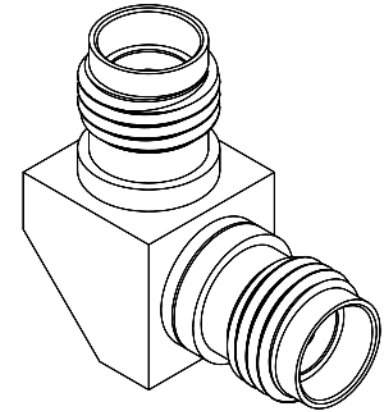
FINISH:

- CENTER CONDUCTORS, AND SOLDER COMPONENTS SHALL BE PLATED PER MIL-G-45204 TYPE II, CLASS 1 OVER NICKEL PLATE PER QQ-N-290.
- BODY AND COMPONENTS SHALL BE PASSIVATED PER ASTM A380

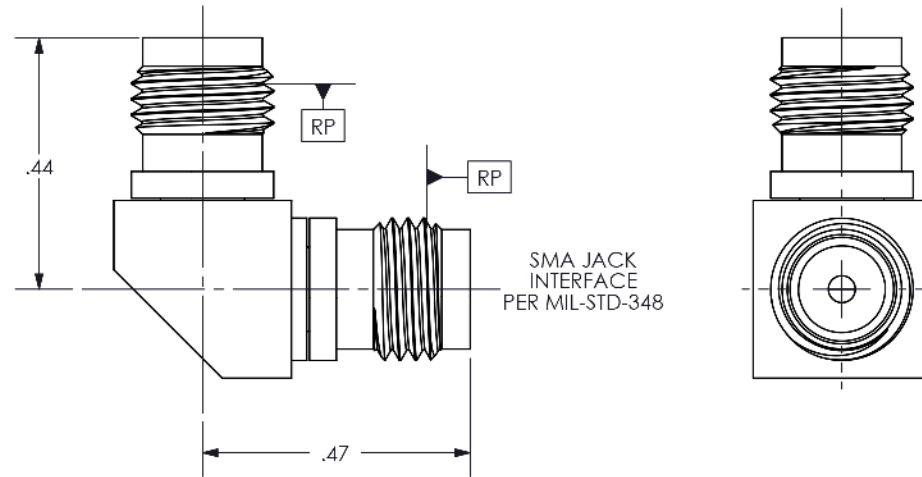
FREQUENCY: DC-27GHz

VSWR: 1.15 TO 27GHz

INSERTION LOSS: .05 SQT(F(GHz)) DB




SMA JACK INTERFACE PER MIL-STD-348



PROPRIETARY INFORMATION

THE INFORMATION CONTAINED IN THIS DOCUMENT SHALL NOT BE DUPLICATED OR DISTRIBUTED WITHOUT WRITTEN PERMISSION FROM:
SRI CONNECTOR GAGE COMPANY
3950 DOW ROAD
MELBOURNE, FLORIDA 32934

THIS LAYOUT IS CONCEPTUAL ONLY AND IS SUBJECT TO FINAL DRAWING.

LTR	DESCRIPTION	DATE	APPR.	DRAWN LMW	CHECKED	 5214 Bonsai Street, Moorpark, CA 93021 (888) 498-3242 • www.hasco-inc.com		
-	REL	12/02		APPR.	SCALE NONE			
				UNLESS OTHERWISE SPECIFIED: 1. REMOVE ALL BURRS 2. BREAK ALL CORNERS & EDGES .005 R. MAX 3. CHAMFER 1st & LAST THREADS 45° 4. SURFACE FINISHED 32 UNLESS OTHERWISE SPECIFIED. 5. DIAMETERS ON COMMON CENTERS TO BE CONCENTRIC WITHIN .002 T.I.R. 6. ALL DIMENSIONS ARE AFTER PLATING.		MATERIAL SEE NOTES	TITLE: SMA JACK TO SMA JACK R/A	
				DIMENSIONS ARE IN INCHES TOLERANCES				
		DECIMALS .X ± .030 .XX ± .010 .XXX ± .005	FRACTIONAL ± 1/64	ANGULAR .X° ± 1° .X°X ± 15'	SIZE A	FSCM NO. 0T8L4	SHEET 1	DWG. NO. SMAJ-SMAJ-MF-RA