

Part No:

SMAP-SMAP-MM-01



SMA Male to SMA Male Adapter - DC to 18 GHz

Electrical

- Frequency Range DC - 18 GHz
- Impedance 50 Ohms
- VSWR 1.25:1 @ 18 GHz Max

Environmental Data

- Temperature Range -65°C - +165°C

Material

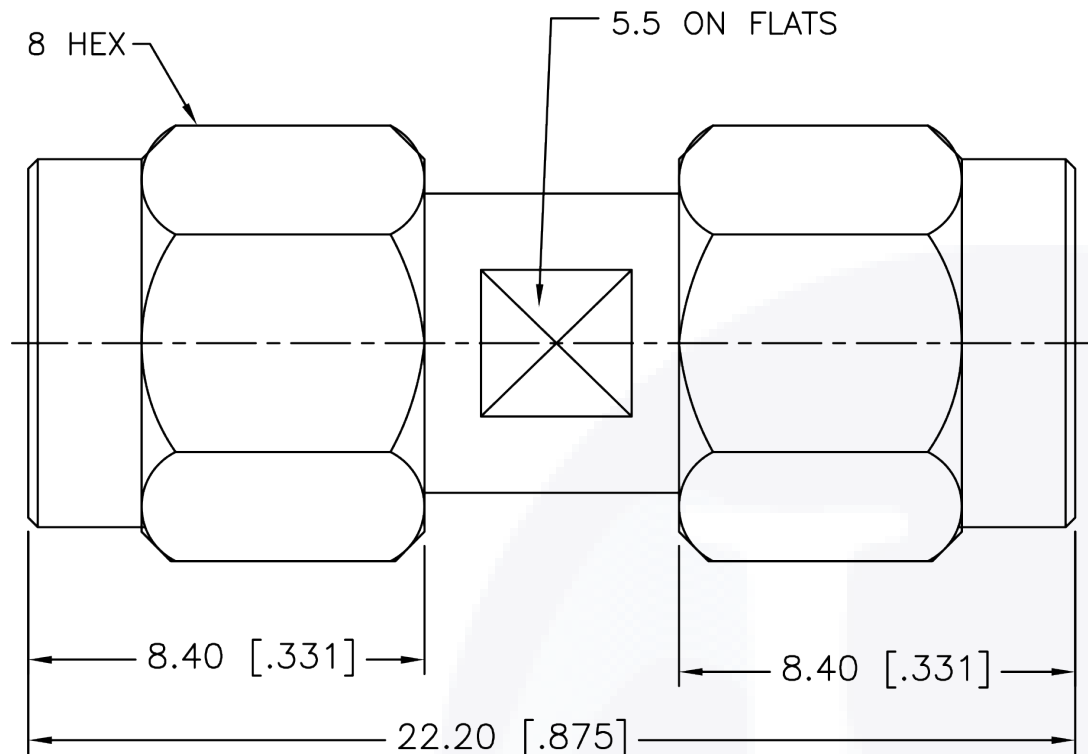
- Body Passivated Stainless Steel
- Dielectric PTFE
- Center Contact Gold Plated Brass


The HASCO **SMAP-SMAP-MM-01** is an Adapter that operates from DC to 18 GHz. .

The SMAP-SMAP-MM-01 is RoHS compliant.



HASCO stocks an extensive selection of RF and Microwave Between-series adapters and In-series coaxial adapters. Precision In-Series adapters include: SMA adapters, 3.5mm adapters, 2.92mm adapters, 2.40mm adapters, and 1.85mm adapters. Some of the Between-Series adapters available are Type N to SMA, SMA to 2.40mm, 3.5mm to 2.92mm, 2.92mm to 2.40mm, SSMA, to 2.92mm, SSMA to 2.4mm.



LTR	DESCRIPTION	DATE	APPR.	DRAWN BY: ABC	CHECKED BY: ABC	 <p>5214 Bonsai Street • Moorpark, CA 93021 (888) 498-3242 • sales@hasco-inc.com www.hasco-inc.com</p>
-	RELEASE	12/16	TAC	APPROVED BY: ABC		
				THESE DRAWINGS AND SPECIFICATIONS ARE THE PROPERTY OF HASCO COMPONENTS AND SHALL NOT BE REPRODUCED, COPIED NOR USED - IN WHOLE OR IN PART - AS THE BASIS FOR THE MANUFACTURE OR SALE OF OTHER ITEMS WITHOUT THE EXPRESS, WRITTEN PERMISSION OF HASCO COMPONENTS.		
				TOLERANCES - UNLESS OTHERWISE NOTED:		MATERIALS: SEE DATA SHEET
				ALL DIMS IN MILLIMETERS 1 PLACE ±0.20 ANGLE ±1.0° 2 PLACE ±0.10		CAGE CODE: 0T8L4
THIS DRAWING IS A CONTROLLED DOCUMENT						SCALE: N/A
						SIZE: A
						PART NO./DRAWING NO. SMAP-SMAP-MM-01
						REV: -