


Part No:

SMBJ-NP-MM



SMB Jack to N Plug Adapter

The HASCO SMBJ-NP-MM is an RF Push-On Between Series Adapter that operates from DC to 6 GHz and handles a minimum of 500 mating cycles. Our SMB to N Type Adapters offer 1.20:1 max VSWR.

The HASCO SMBJ-NP-MM is RoHS compliant. 

HASCO stocks an extensive selection of RF and Microwave between-series adapters and in-series coax adapters. Precision In-Series adapters include: SMA adapters, N Type Adapters, TNC Adapters, 3.5mm adapters, 2.92mm adapters, 2.40mm adapters, 1.0mm Adapters, and 1.85mm adapters. Between-Series adapters available are Type N to SMA, SMA to 2.40mm, 3.5mm to 2.92mm, 2.92mm to 2.40mm, SSMA, to 2.92mm, SSMA to 2.4mm.

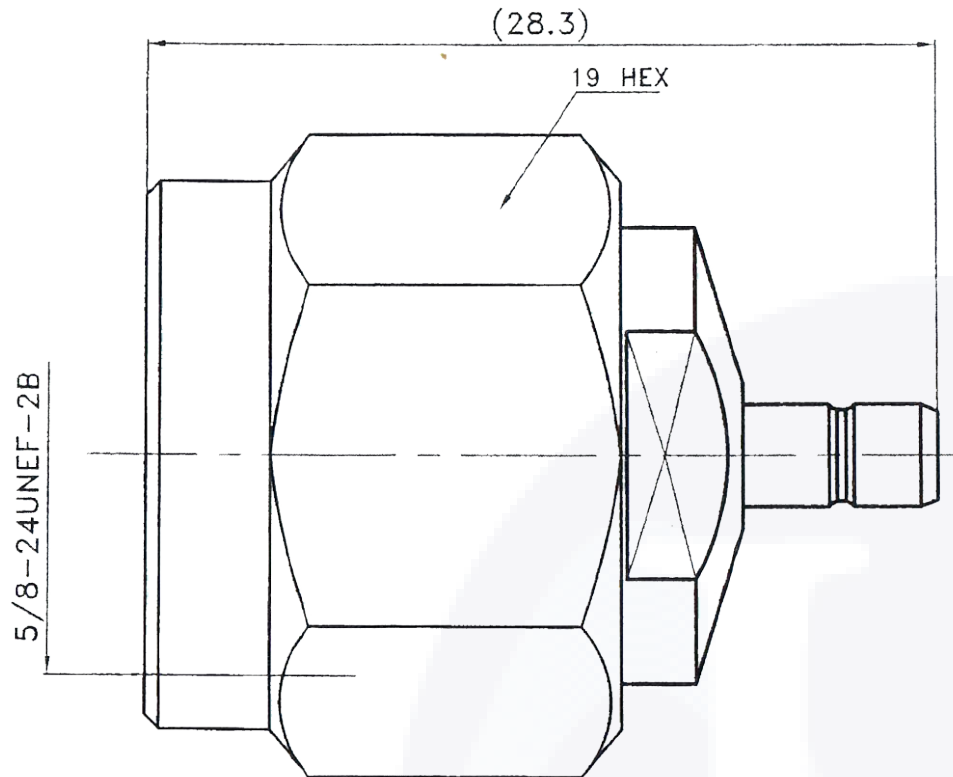
Electrical

- Frequency Range DC - 6 GHz
- VSWR DC - 6 GHz 1.20:1 max (1.10:1 Typ)
- Impedence 50 Ohms
- Interface Mates with MIL-STD-348
- Mating Cycles 500 Min
- Operating Temp -55°C to +125°C


Material

- Connector Outer Body Ni Plated Brass
- Center Conductor Au Plated Brass
- Insulator PTFE
- Nut Tri-Metal Plated Brass
- Mating Head of SMB Au Plated Brass

To view online, go to: <https://www.hasco-inc.com/adapters/smb-jack-to-n-plug-adapter-dc-to-6-ghz/>



To view online, go to: <https://www.hasco-inc.com/adapters/smb-jack-to-n-plug-adapter-dc-to-6-ghz/>

LTR	DESCRIPTION	DATE	APPR.	DRAWN BY: ABC	CHECKED BY: ABC	 <p>5214 Bonsai Street • Moorpark, CA 93021 (888) 498-3242 • sales@hasco-inc.com www.hasco-inc.com</p>
-	RELEASE	12/16	TAC	APPROVED BY: ABC		
				THESE DRAWINGS AND SPECIFICATIONS ARE THE PROPERTY OF HASCO COMPONENTS AND SHALL NOT BE REPRODUCED, COPIED NOR USED - IN WHOLE OR IN PART - AS THE BASIS FOR THE MANUFACTURE OR SALE OF OTHER ITEMS WITHOUT THE EXPRESS, WRITTEN PERMISSION OF HASCO COMPONENTS.		MATERIALS: SEE DATA SHEET
						CAGE CODE: 0T8L4
						SCALE: N/A
						SIZE: A
						FINISHES: SEE DATA SHEET
						PART NO./DRAWING NO. SMBJ-NP-MM
						REV: -
THIS DRAWING IS A CONTROLLED DOCUMENT						