

Part No:

HM3208



Advanced Microwave Double Balanced Microwave Mixer SMA Female, 18 GHz to 32 GHz

Mixer Specifications

- Frequency Range RF/LO 18 - 32 GHz
- Frequency Range IF DC - 8 GHz
- Conversion Loss 9 dB Typ., 11 dB max.
- L/R Isolation 32 dB Typ., 27 dB min.
- L/I Isolation 23 dB Typ., 18 dB min.
- LO Drive Level +14 to +17 dBm
- Input P1 dB +10 dBm min.
- Noise Figure Conv. Loss +0.5 dB
- Max Input Power +20 dBm
- Operating Temperature -40° to +85°C
- Storage Temperature -54° to +125°C
- ESD Sensitive Handle only in ESD Workstation

*NOTE:
Data shown
here is actual
plotted data.
It is not
computer
generated.*

The Advanced Microwave HM3208 is a double-balanced 18 to 32 GHz microwave mixer with an IF frequency range of DC to 8 GHz. The LO is driven with +14 to +17 dBm, and as an up or downconverter features typical conversion loss of 9 dB, L to I isolation of 23 dB, and L to R isolation of 32 dB. Maximum Input power is +20dBm.

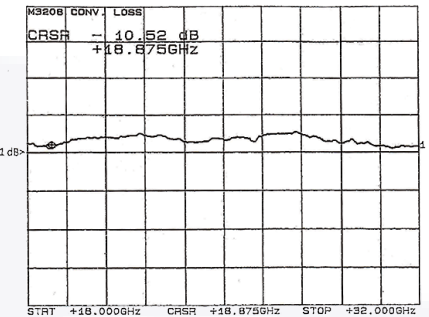
The HM3208 is RoHS compliant.



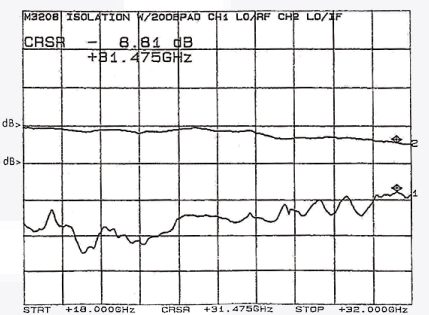
The Advanced Microwave Mixer offers an ultra wideband matching structure with a quad matched monolithic Schottky barrier diode, resulting in a broad band mixer with low conversion loss and low spurious response. The planar construction allows optimum phase and amplitude matching and tracking over a wide frequency range.

Advanced Microwave mixers can also be used for biphas and pulse modulation where the carrier signal is fed into LO and the modulated signal will appear at the RF port when a bipolar signal is fed into the IF port. The phase of the output signal will shift to 180 degrees when a reversal of polarity occurs. The current into the IF port is limited to 25 milliamps.

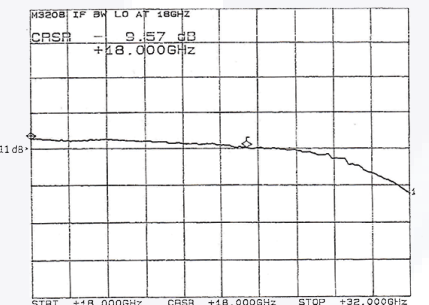
CH1: A dB/REF - 10.52 dB



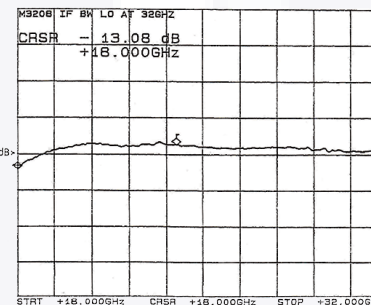
CH1: A dB/REF - 8.81 dB CH2: B dB/REF - 8.70 dB



CH1: A dB/REF - 9.57 dB

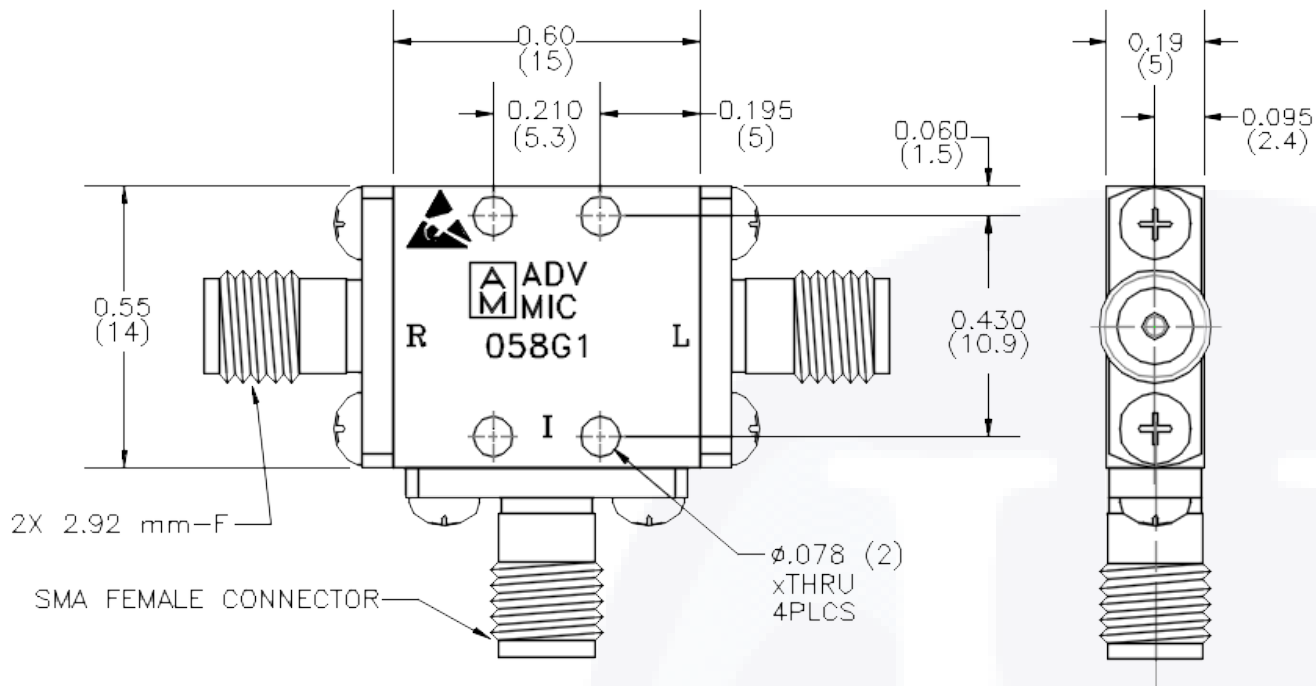


CH1: A dB/REF - 10.08 dB



To view online, go to: <https://www.hasco-inc.com/mixers/double-balanced-microwave-mixer-sma-female-18-ghz-to-32-ghz-with-if-range-of-dc-to-8-ghz-lo-power-14dbm-to-17dbm/>

HM3208 | 18 - 32 GHz | Outline Drawing



To view online, go to: <https://www.hasco-inc.com/mixers/double-balanced-microwave-mixer-sma-female-18-ghz-to-32-ghz-with-if-range-of-dc-to-8-ghz-lo-power-14dbm-to-17dbm/>

LTR	DESCRIPTION	DATE	APPR.	DRAWN BY: ABC	CHECKED BY: ABC
-	RELEASE	12/16	TAC	APPROVED BY: ABC	
				THESE DRAWINGS AND SPECIFICATIONS ARE THE PROPERTY OF HASCO COMPONENTS AND SHALL NOT BE REPRODUCED, COPIED NOR USED - IN WHOLE OR IN PART - AS THE BASIS FOR THE MANUFACTURE OR SALE OF OTHER ITEMS WITHOUT THE EXPRESS, WRITTEN PERMISSION OF HASCO COMPONENTS.	
				MATERIALS: SEE DATA SHEET	CAGE CODE: OT8L4
				FINISHES: SEE DATA SHEET	SCALE: N/A
				PART NO./DRAWING NO. HM3208	
				REV: -	
THIS DRAWING IS A CONTROLLED DOCUMENT					



5214 Bonsai Street • Moorpark, CA 93021
(888) 498-3242 • sales@hasco-inc.com
www.hasco-inc.com