

Part No:

HA18A-10



HASCO, INC
COMPONENTS DISTRIBUTOR



10 dB - Fixed Attenuator SMA Male To SMA Female Up To 18 GHz Rated To 2 Watts with Passivated Stainless Steel Body

Electrical

- Frequency Range DC - 18 GHz
- VSWR
 - DC - 4 GHz 1.15:1
 - 4 - 8 GHz 1.20:1
 - 8 - 12.4 GHz 1.25:1
 - 12.4 - 18 GHz 1.35:1
- Impedance 50 Ohms
- Power
 - 2 Watt
 - 5 μ Sec Pulse, 0.05% Duty Cycle
- Power Peak 250 Watts

Environmental Data

- Temperature Range -55°C - +85°C

Material

- Body Passivated Stainless Steel
- Hex-Nut Passivated Stainless Steel
- Center Contact Gold Plated BeCu
- Housing Passivated Stainless Steel
- Insulators PTFE, Virgin Electrical Grade

**dB Value	PART NO.	ATTENUATION
0.5	HA18A-005	\pm 0.30
1	HA18A-01	\pm 0.30
2	HA18A-02	\pm 0.30
3	HA18A-03	\pm 0.30
4	HA18A-04	\pm 0.30
5	HA18A-05	\pm 0.30
6	HA18A-06	\pm 0.30
7	HA18A-07	\pm 0.30
8	HA18A-08	\pm 0.30
9	HA18A-09	\pm 0.30
10	HA18A-10	\pm 0.50
11	HA18A-11	\pm 0.50
12	HA18A-12	\pm 0.50
13	HA18A-13	\pm 0.50
14	HA18A-14	\pm 0.50
15	HA18A-15	\pm 0.50
16	HA18A-16	\pm 0.50
17	HA18A-17	\pm 0.50
18	HA18A-18	\pm 0.50
19	HA18A-19	\pm 0.50
20	HA18A-20	\pm 0.50
25	HA18A-25	\pm 0.75
30	HA18A-30	\pm 0.75

The HASCO Fixed Attenuator **HA18A-10** is rated to 2 Watts and operates from DC to 18GHz. The versatile coaxial package uses SMA male to SMA female connectors.

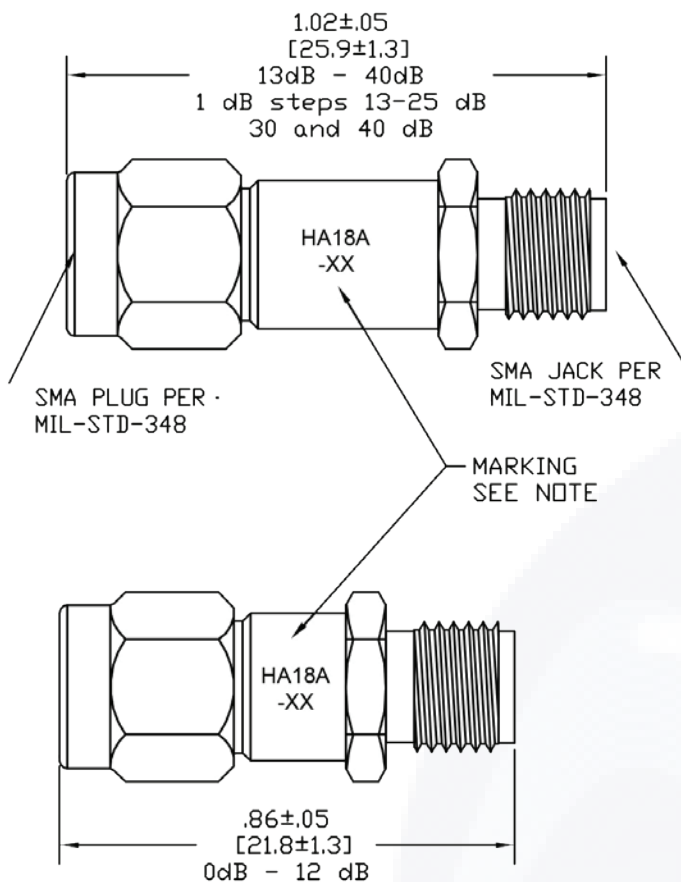
The HA18A-10 is RoHS compliant.



RF microwave attenuators (also known as RF pads) lower the amplitude of a signal (attenuate) a known amount and can be used in a wide variety of applications. These attenuator pads are used when a signal needs to be reduced to protect measurement equipment or other circuitry, to extend the range of power meters and amplifiers, and to impedance match circuits by reducing the VSWR seen by adjacent components. RF attenuators can prevent signal overload in amplifiers, receivers and detectors, adjusting the signal level to a range that is optimal.

To view online, go to: <https://www.hasco-inc.com/attenuators/10-db-fixed-attenuator-sma-male-to-sma-female-up-to-18-ghz-rated-to-2-watts-with-passivated-stainless-steel-body/>

HA18A-10 | DC - 18 GHz • 2 Watts | Outline Drawing



**dB Value	PART NO.	ATTENUATION
0.5	HA18A-005	± 0.30
1	HA18A-01	± 0.30
2	HA18A-02	± 0.30
3	HA18A-03	± 0.30
4	HA18A-04	± 0.30
5	HA18A-05	± 0.30
6	HA18A-06	± 0.30
7	HA18A-07	± 0.30
8	HA18A-08	± 0.30
9	HA18A-09	± 0.30
10	HA18A-10	± 0.50
11	HA18A-11	± 0.50
12	HA18A-12	± 0.50
13	HA18A-13	± 0.50
14	HA18A-14	± 0.50
15	HA18A-15	± 0.50
16	HA18A-16	± 0.50
17	HA18A-17	± 0.50
18	HA18A-18	± 0.50
19	HA18A-19	± 0.50
20	HA18A-20	± 0.50
25	HA18A-25	± 0.75
30	HA18A-30	± 0.75

To view online, go to: <https://www.hasco-inc.com/attenuators/10-db-fixed-attenuator-sma-male-to-sma-female-up-to-18-ghz-rated-to-2-watts-with-passivated-stainless-steel-body/>

LTR	DESCRIPTION	DATE	APPR.	DRAWN BY: ABC	CHECKED BY: ABC
-	RELEASE	12/16	TAC	APPROVED BY: ABC	
				THESE DRAWINGS AND SPECIFICATIONS ARE THE PROPERTY OF HASCO COMPONENTS AND SHALL NOT BE REPRODUCED, COPIED NOR USED - IN WHOLE OR IN PART - AS THE BASIS FOR THE MANUFACTURE OR SALE OF OTHER ITEMS WITHOUT THE EXPRESS, WRITTEN PERMISSION OF HASCO COMPONENTS.	
THIS DRAWING IS A CONTROLLED DOCUMENT					



5214 Bonsai Street • Moorpark, CA 93021
 (888) 498-3242 • sales@hasco-inc.com
www.hasco-inc.com

MATERIALS: SEE DATA SHEET	CAGE CODE: 0T8L4	SCALE: N/A	SIZE: A
FINISHES: SEE DATA SHEET	PART NO./DRAWING NO. HA18A-10		REV: -