

Part No:

HA18A5W-02



HASCO, INC
COMPONENTS DISTRIBUTOR



*2 dB - Fixed Attenuator SMA Male To SMA Female Up To 18 GHz
Rated To 5 Watts With Black Aluminum Heat Sink Body*

The HASCO **HA18A5W-02** is an RF attenuator that operates from DC to 18 GHz and handles up to 5 Watts (CW). This attenuator is constructed with SMA Male to SMA Female connectors.

The HA18A5W-02 is RoHS Compliant.



An attenuator is an electronic device that reduces the power of a signal without appreciably distorting its waveform. Attenuators are a useful building block within RF design where they reduce the signal level while providing an accurate match for the characteristic impedance used. HASCO offers a huge selection of RF and microwave attenuators and can support most requirements, such as SMA, 2.92mm, 2.4mm, 1.85mm, Type N and TNC in addition to many other RF and Microwave coaxial attenuators.

Electrical

- Frequency Range DC - 18 GHz
- Attenuation (dB) SEE CHART - >>>
- VSWR DC - 4 GHz..... 1.15
4 - 12 GHz: 1.25
12.4 - 18 GHz 1.35
- Impedance 50 Ohms
- RF Power Nominal 5 Watts@ 25°C Peak: 500 W
(Derates linearly from 25° to 10% @ ±125°)

Environmental Data

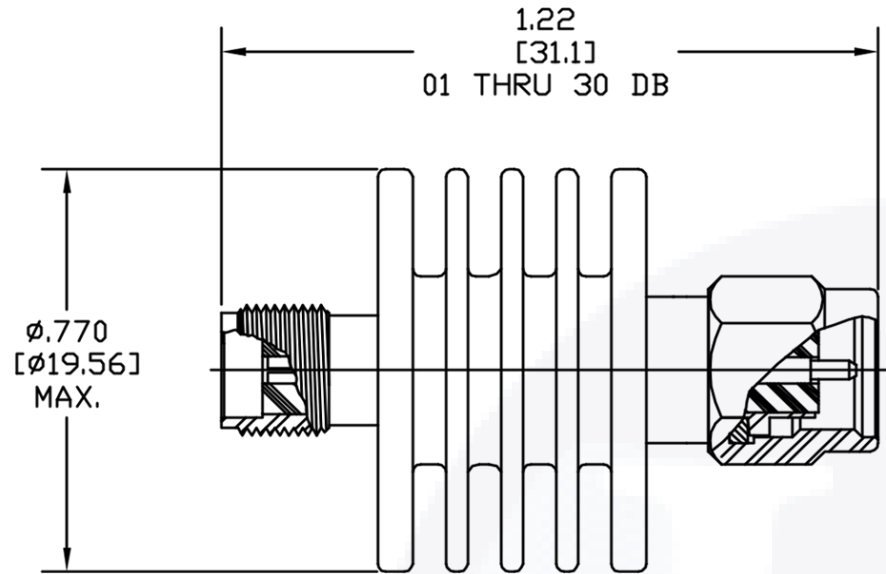
- Temperature Range --65°C - +125°C

Material


- Housing Aluminum (May be one of several QQ-A-XXX or ASTM Standards)
- Dielectric Teflon per ASTM D1710
- Center Conductor Beryllium Copper per QQ-C-530, ASTM B196 ASTM-B197 Alloys
C17200 or C17300 per MIL-PRF-39012, Gold Plated IAW MIL-PRF-39012
- Outer Conductor Stainless Steel, Corosion Resistant per ASTM A484 & A582, Class 303,
Cond. A. Passivated Per ASTM A380
- Resistor Substrate AlN or Aluminum Oxide, Resistor: Proprietary Thin Film Hybrid with
Protective SiO Coating

| **dB Value | PART NO. | ATTENUATION |
|------------|------------|-------------|
| 0.5 | HA18A5W-5 | ± 0.30 |
| 1 | HA18A5W-01 | ± 0.30 |
| 2 | HA18A5W-02 | ± 0.30 |
| 3 | HA18A5W-03 | ± 0.30 |
| 4 | HA18A5W-04 | ± 0.30 |
| 5 | HA18A5W-05 | ± 0.30 |
| 6 | HA18A5W-06 | ± 0.30 |
| 7 | HA18A5W-07 | ± 0.50 |
| 8 | HA18A5W-08 | ± 0.50 |
| 9 | HA18A5W-09 | ± 0.50 |
| 10 | HA18A5W-10 | ± 0.50 |
| 12 | HA18A5W-12 | ± 0.50 |
| 20 | HA18A5W-20 | ± 0.50 |
| 30 | HA18A5W-25 | ± 0.75 |
| 40 | HA18A5W-30 | ± 1.25 |

To view online, go to: [2 dB - fixed-attenuator-sma-male-to-sma-female-up-to-18-ghz-rated-to-5-watts-with-black-aluminum-heat-sink-body/](https://www.hasco-inc.com/2-dB-fixed-attenuator-sma-male-to-sma-female-up-to-18-ghz-rated-to-5-watts-with-black-aluminum-heat-sink-body/)



To view online, go to: [2 dB - fixed-attenuator-sma-male-to-sma-female-up-to-18-ghz-rated-to-5-watts-with-black-aluminum-heat-sink-body/](#)

| | | | | | | |
|---------------------------------------|-------------|-------|-------|--|-----------------|--|
| LTR | DESCRIPTION | DATE | APPR. | DRAWN BY: | CHECKED BY: TAC |  <p>5214 Bonsai Street • Moorpark, CA 93021 (888) 498-3242 • sales@hasco-inc.com www.hasco-inc.com</p> |
| - | RELEASE | 12/16 | TAC | APPROVED BY: TAC | | |
| | | | | THESE DRAWINGS AND SPECIFICATIONS ARE THE PROPERTY OF HASCO COMPONENTS AND SHALL NOT BE REPRODUCED, COPIED NOR USED - IN WHOLE OR IN PART - AS THE BASIS FOR THE MANUFACTURE OR SALE OF OTHER ITEMS WITHOUT THE EXPRESS, WRITTEN PERMISSION OF HASCO COMPONENTS. | | MATERIALS: SEE DATA SHEET |
| | | | | | | CAGE CODE: 0T8L4 |
| | | | | | | SCALE: NS |
| | | | | | | SIZE: - |
| | | | | | | FINISHES: SEE DATA SHEET |
| | | | | | | PART NO./DRAWING NO. HA18A5W- |
| | | | | | | REV: - |
| THIS DRAWING IS A CONTROLLED DOCUMENT | | | | | | |