

Part No:

# HA18A5W-08



**HASCO, INC**  
COMPONENTS DISTRIBUTOR



*8 dB - Fixed Attenuator SMA Male To SMA Female Up To 18 GHz  
Rated To 5 Watts With Black Aluminum Heat Sink Body*

The HASCO **HA18A5W-08** is an RF attenuator that operates from DC to 18 GHz and handles up to 5 Watts (CW). This attenuator is constructed with SMA Male to SMA Female connectors.

The HA18A5W-08 is RoHS Compliant.



An attenuator is an electronic device that reduces the power of a signal without appreciably distorting its waveform. Attenuators are a useful building block within RF design where they reduce the signal level while providing an accurate match for the characteristic impedance used. HASCO offers a huge selection of RF and microwave attenuators and can support most requirements, such as SMA, 2.92mm, 2.4mm, 1.85mm, Type N and TNC in addition to many other RF and Microwave coaxial attenuators.

## Electrical

- Frequency Range DC - 18 GHz
- Attenuation (dB) SEE CHART - >>>
- VSWR DC - 4 GHz..... 1.15  
4 - 12 GHz: ..... 1.25  
12.4 - 18 GHz ..... 1.35
- Impedance 50 Ohms
- RF Power Nominal 5 Watts@ 25°C Peak: 500 W  
(Derates linearly from 25° to 10% @ ±125°)

## Environmental Data

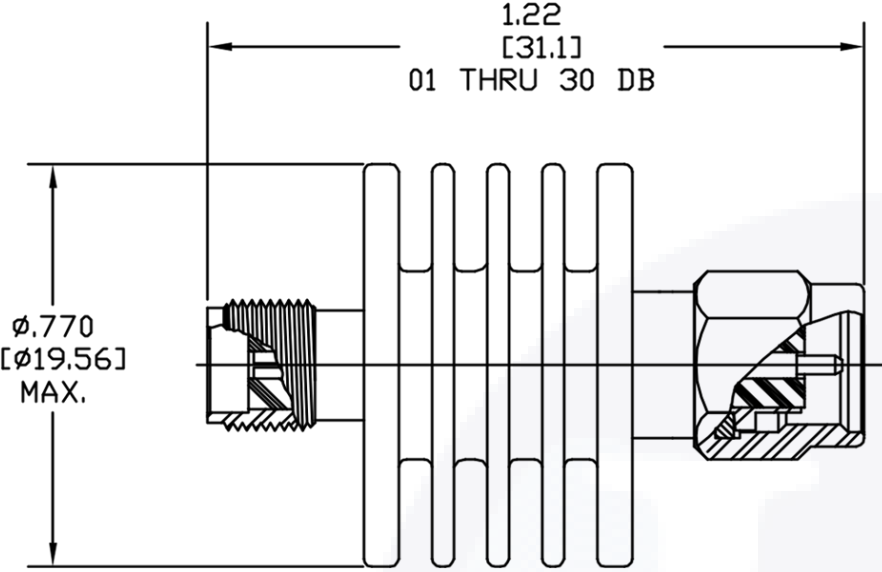
- Temperature Range --65°C - +125°C

## Material


- Housing Aluminum (May be one of several QQ-A-XXX or ASTM Standards)
- Dielectric Teflon per ASTM D1710
- Center Conductor Beryllium Copper per QQ-C-530, ASTM B196 ASTM-B197 Alloys  
C17200 or C17300 per MIL-PRF-39012, Gold Plated IAW MIL-PRF-39012
- Outer Conductor Stainless Steel, Corosion Resistant per ASTM A484 & A582, Class 303,  
Cond. A. Passivated Per ASTM A380
- Resistor Substrate AlN or Aluminum Oxide, Resistor: Proprietary Thin Film Hybrid with  
Protective SiO Coating

**dB Value	PART NO.	ATTENUATION
0.5	HA18A5W-.5	± 0.30
1	HA18A5W-01	± 0.30
2	HA18A5W-02	± 0.30
3	HA18A5W-03	± 0.30
4	HA18A5W-04	± 0.30
5	HA18A5W-05	± 0.30
6	HA18A5W-06	± 0.30
7	HA18A5W-07	± 0.50
8	HA18A5W-08	± 0.50
9	HA18A5W-09	± 0.50
10	HA18A5W-10	± 0.50
12	HA18A5W-12	± 0.50
20	HA18A5W-20	± 0.50
30	HA18A5W-25	± 0.75
40	HA18A5W-30	± 1.25

To view online, go to: [8 dB - fixed-attenuator-sma-male-to-sma-female-up-to-18-ghz-rated-to-5-watts-with-black-aluminum-heat-sink-body/](https://www.hasco-inc.com/8-dB-fixed-attenuator-sma-male-to-sma-female-up-to-18-ghz-rated-to-5-watts-with-black-aluminum-heat-sink-body/)



To view online, go to: [8 dB - fixed-attenuator-sma-male-to-sma-female-up-to-18-ghz-rated-to-5-watts-with-black-aluminum-heat-sink-body/](#)

LTR	DESCRIPTION	DATE	APPR.	DRAWN BY:	CHECKED BY: TAC		5214 Bonsai Street • Moorpark, CA 93021 (888) 498-3242 • sales@hasco-inc.com <a href="http://www.hasco-inc.com">www.hasco-inc.com</a>		
-	RELEASE	12/16	TAC	APPROVED BY: TAC					
				THESE DRAWINGS AND SPECIFICATIONS ARE THE PROPERTY OF HASCO COMPONENTS AND SHALL NOT BE REPRODUCED, COPIED NOR USED - IN WHOLE OR IN PART - AS THE BASIS FOR THE MANUFACTURE OR SALE OF OTHER ITEMS WITHOUT THE EXPRESS, WRITTEN PERMISSION OF HASCO COMPONENTS.		MATERIALS:	CAGE CODE:	SCALE:	SIZE:
						SEE DATA SHEET	0T8L4	NS	-
						FINISHES:	PART NO./DRAWING NO.		REV:
						SEE DATA SHEET	<b>HA18A5W-08</b>		-
THIS DRAWING IS A CONTROLLED DOCUMENT									