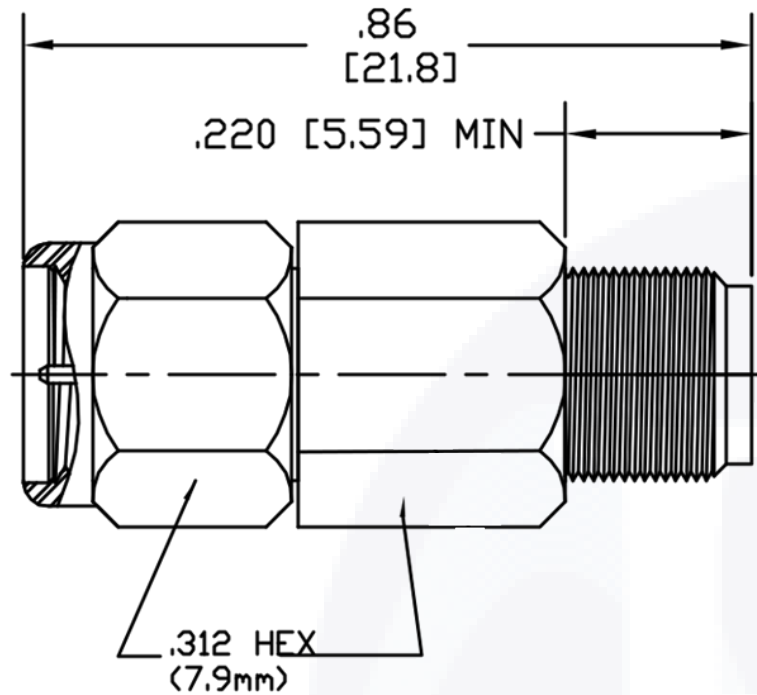



HA6A-05 | DC - 6 GHz • 2 Watts | Outline Drawing



LTR	DESCRIPTION	DATE	APPR.	DRAWN BY:	CHECKED BY: TAC	 <p>5214 Bonsai Street • Moorpark, CA 93021 (888) 498-3242 • sales@hasco-inc.com www.hasco-inc.com</p>			
-	RELEASE	12/16	TAC	APPROVED BY: TAC					
				THESE DRAWINGS AND SPECIFICATIONS ARE THE PROPERTY OF HASCO COMPONENTS AND SHALL NOT BE REPRODUCED, COPIED NOR USED - IN WHOLE OR IN PART - AS THE BASIS FOR THE MANUFACTURE OR SALE OF OTHER ITEMS WITHOUT THE EXPRESS, WRITTEN PERMISSION OF HASCO COMPONENTS.		MATERIALS: SEE DATA SHEET	CAGE CODE: 0T8L4	SCALE: NS	SIZE: -
						FINISHES: SEE DATA SHEET	PART NO./DRAWING NO. HA6A-05	REV: -	
THIS DRAWING IS A CONTROLLED DOCUMENT									