

Part No:

HLL228R-24P-24P-48



2.4mm Male to 2.4mm Male Test Cable using LL228 Low Loss Ruggedized Flexible Cable, Excellent Phase and Amplitude Stability vs. Flexure, DC- 50 GHz, 48 Inches



The HASCO **HLL228R Series Cable** is a low loss LL228 cable that operates from DC to 50 GHz. This cable series is constructed with 2.4mm Male to 2.4mm Male connectors. These cables are internally ruggedized with multi-layer copper spiral and braided armor. They offer excellent phase and amplitude stability vs. flexure. The HLL228R Series cables offer 1.35:1 max VSWR.

The HLL228R-24P-24P-48 is RoHS Compliant.



HASCO offers many types and configurations of RF and microwave cable assemblies and can support most requirements, such as flexible, conformable, semi-rigid, VGA, low-loss, phase stable, armored, jacketed and more; all assembled with the highest quality RF connectors.

Specifications

• Frequency Range	DC - 50 GHz
• Insulation Resistance	5,000M Ω
• Insertion Loss	≤ 2.8 dB @ 50 GHz
• VSWR	1.35:1 MAX
• Impedance	50 Ohms
• Dielectric Withstanding Voltage	1,000V Max at Sea Level
• Min. Bend Radius	1.4"
• Velocity of Propagation	76%
• RF Leakage	> 90 dB
• Phase Stability	$\leq \pm 0.1$ dB @ 50 GHz
• Phase Stability over Flexure	$\leq \pm 10^\circ$ @ 50 GHz
• Dielectric Withstanding Voltage	1,000V Max at Sea Level
• Capacitance	27pf/ft=88pf/m
• Temperature Range	-55°C - +125°C

Materials and Finishes

DESCRIPTION

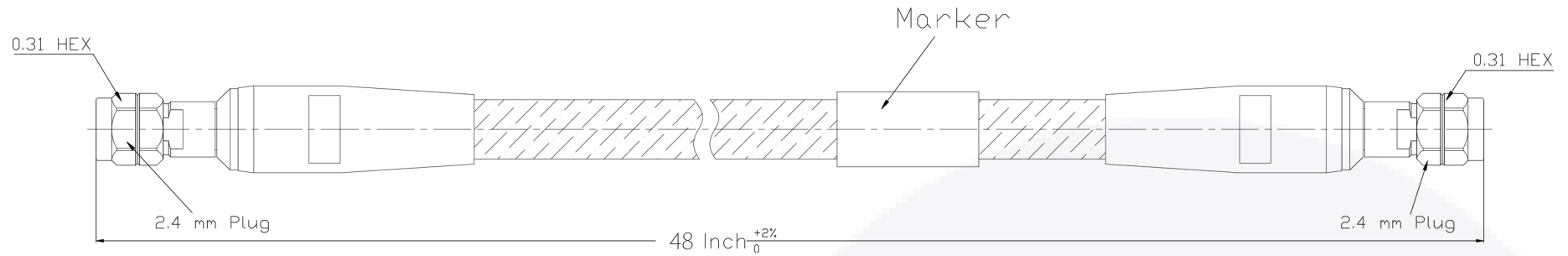
- Connectors
- Insulation
- Inner and Outer Shield
- Inner Armor
- Jacket
- Outer Armor


MATERIALS

- Stainless Steel
- PTFE
- Copper
- Copper
- FEP
- PTFE Braid

FINISH OR COLOR

- Passivated
- N/A
- Silver Plated
- Silver Plated
- N/A
- Purple



LTR	DESCRIPTION	DATE	APPR.	DRAWN BY: JMS	CHECKED BY: TAC	 <p>5214 Bonsai Street • Moorpark, CA 93021 (888) 498-3242 • sales@hasco-inc.com www.hasco-inc.com</p>			
-	RELEASE	12/18	TAC	APPROVED BY: TAC					
A	JACKET COLOR CHANGE	10/20	TAC	THESE DRAWINGS AND SPECIFICATIONS ARE THE PROPERTY OF HASCO COMPONENTS AND SHALL NOT BE REPRODUCED, COPIED NOR USED - IN WHOLE OR IN PART - AS THE BASIS FOR THE MANUFACTURE OR SALE OF OTHER ITEMS WITHOUT THE EXPRESS, WRITTEN PERMISSION OF HASCO COMPONENTS.		MATERIALS: SEE DATA SHEET	CAGE CODE: OT8L4	SCALE: NS	SIZE: -
						FINISHES: SEE DATA SHEET	PART NO./DRAWING NO. HLL228R-24P-24P-48	REV: A	
THIS DRAWING IS A CONTROLLED DOCUMENT									