

Part No:

# HLL228R-24P-24P-6



## 2.4mm Male to 2.4mm Male Low Loss Ruggedized Test Cable - 50 GHz, 6 Inches



The HASCO **HLL228R** Series Cable is a low loss LL228 cable that operates from DC to 50 GHz. This cable series is constructed with 2.4mm Male to 2.4mm Male connectors. These cables are internally ruggedized with multi-layer copper spiral and braided armor. They offer excellent phase and amplitude stability vs. flexure.

The HLL228R-24P-24P-6 is RoHS Compliant.



HASCO offers many types and configurations of RF and microwave cable assemblies and can support most requirements, such as flexible, conformable, semi-rigid, VGA, low-loss, phase stable, armored, jacketed and more; all assembled with the highest quality RF connectors.

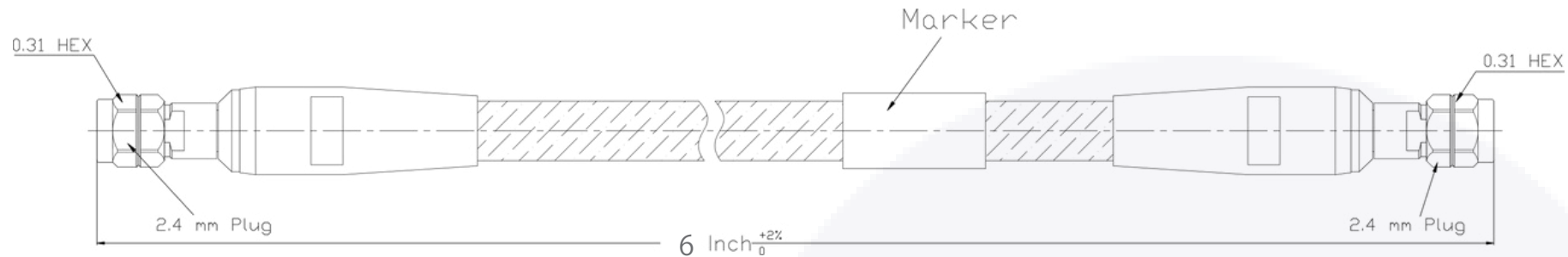
### Electrical


• Impedance	50 Ohms
• Frequency Range	DC - 50 GHz
• VSWR	1.35:1 Max
• Insertion Loss	$\leq 2.8$ dB @ 50 GHz
• Insulation Resistance	5000 M $\Omega$
• Diel. Withstanding Voltage	1000 V rms
• Phase Stability	$\leq \pm 0.1$ dB @ 50 GHz
• Stability over Flexure	$\leq \pm 10^\circ$ @ 50 GHz
• RF Leakage	> 90 dB
• Capacitance	27pf/ft=88pf/m
• Velocity of Propagation	76%
• Temperature Range	-55°C to 125°C

### Material

• Connectors	Passivated Stainless Steel
• Insulator	PTFE
• Inner & Outer Shield	Silver Plated Copper
• Inner Armor	Silver Plated Copper
• Outer Armor	PTFE Braid, Purple
• Jacket	FEP

# HLL228R 2.4mm Male to 2.4mm Male Low Loss Ruggedized Test Cable | DC - 50 GHz | Outline Drawing



LTR	DESCRIPTION	DATE	APPR.	DRAWN BY: <i>NS</i>	CHECKED BY: <i>JMS</i>		5214 Bonsai Street • Moorpark, CA 93021 (888) 498-3242 • sales@hasco-inc.com <a href="http://www.hasco-inc.com">www.hasco-inc.com</a>			
-	RELEASE	08/22	TAC	APPROVED BY: <i>TAC</i>						
				THESE DRAWINGS AND SPECIFICATIONS ARE THE PROPERTY OF HASCO COMPONENTS AND SHALL NOT BE REPRODUCED, COPIED NOR USED - IN WHOLE OR IN PART - AS THE BASIS FOR THE MANUFACTURE OR SALE OF OTHER ITEMS WITHOUT THE EXPRESS, WRITTEN PERMISSION OF HASCO COMPONENTS.			MATERIALS:	CAGE CODE:	SCALE:	SIZE:
							SEE DATA SHEET	OT8L4	N/A	A
							FINISHES:	PART NO./DRAWING NO.		REV:
							SEE DATA SHEET	<b>HLL228R-24P-24P-6</b>		-
THIS DRAWING IS A CONTROLLED DOCUMENT										