


Part No:

HULL320-S1-S1-L



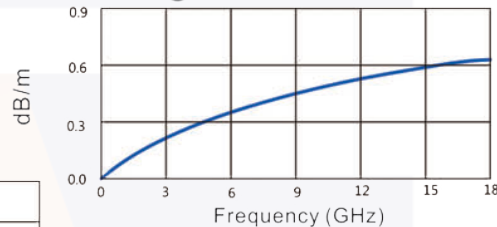
HULL320 Ultra Low Loss Flexible Cable Series with SMA Male Connectors - 18 GHz

Features

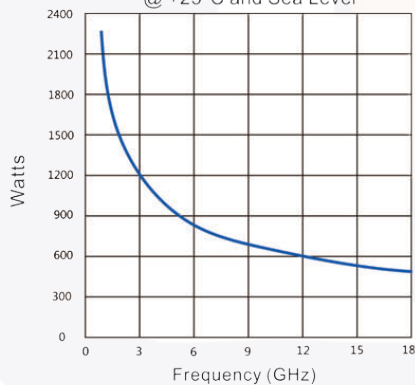
- RoHs Compliant 
- Low Loss, Low VSWR, High Reliability
- Phase Stable over Temp: 550ppm Max @ -45°C ~ 85°C
- Phase Stable vs. Flexure: $\pm 4.0^\circ$ @ 18 GHz
(When wrapped 360° around a 3.2" diameter mandrel)

The HASCO **HULL320** is an Ultra Low Loss Flexible Cable Series that is phase stable over temperature and phase stable vs. flexure. Available with SMA Male connectors and rated to 18 GHz.

Cable Attenuation
@ +25°C and Sea Level



Max RF Power
@ +25°C and Sea Level



Electrical

• Impedance	50 Ω		
• Frequency Range	DC - 18 GHz		
• VSWR	1.35:1 Max		
• Insertion Loss	-0.192 dB/ft @ 18 GHz		
• Amplitude Stability	$\leq \pm 0.1$ dB thru 18 GHz		
• Velocity of Propogation	85%		
• Time Delay	1.19 ns/ft		
• Capacitance	23.7 pF/ft		
• Power CW	1480 W @ 2 GHz	650 W @ 10 GHz	480 W @ 18 GHz
• Phase Stability vs. Flexure	$\pm 0.5^\circ$	$\pm 2.5^\circ$	$\pm 4.5^\circ$
• RF Leakage	< -90 dB dB @ 18 GHz		

Mechanical

- Min Bend Radius 1.6 inch
- Recommended Bend Radius 3.19 inch

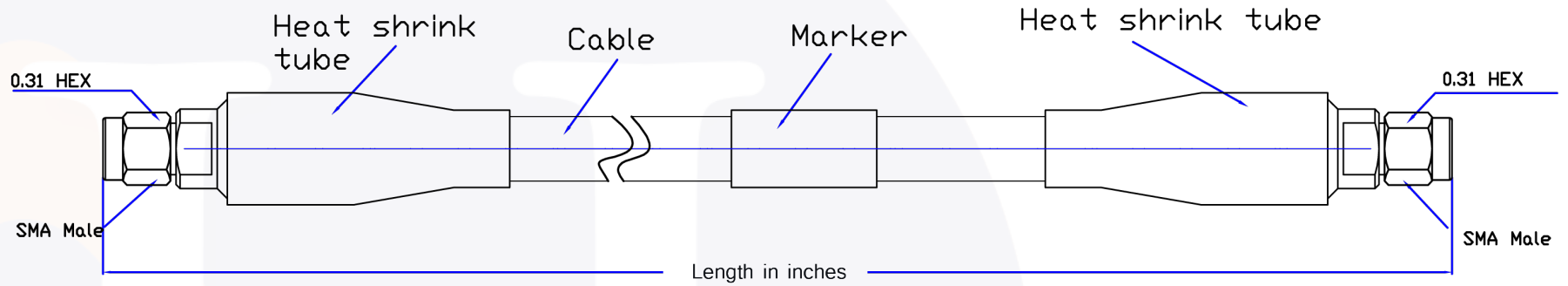
Environmental


- Temperature Range -55°C to 85°C

Material

- Connector Body & Nut Passivated Stainless Steel
- Gasket Silicon
- Dielectric PTFE
- Center Contact Gold Plated BeCu
- Cable Jacket PFA

HULL320 Ultra Low Loss Flexible Cable Series with SMA Male Connectors | DC - 18 GHz | Outline Drawing



LTR	DESCRIPTION	DATE	APPR.	DRAWN BY: <i>NS</i>	REVIEWED BY: <i>JS</i>	 5214 Bonsai Avenue • Moorpark, CA 93021 (888) 498-3242 • sales@hasco-inc.com www.hasco-inc.com				
-	RELEASE	1/14	TC		APPROVED BY: <i>TC</i>					
A	DATASHEET UPDATE	6/26	TC	THESE DRAWINGS AND SPECIFICATIONS ARE THE PROPERTY OF HASCO COMPONENTS AND SHALL NOT BE REPRODUCED, COPIED NOR USED - IN WHOLE OR IN PART - AS THE BASIS FOR THE MANUFACTURE OR SALE OF OTHER ITEMS WITHOUT THE EXPRESS, WRITTEN PERMISSION OF HASCO COMPONENTS.			MATERIALS:	CAGE CODE:	SCALE:	SIZE:
							SEE DATA SHEET	0T8L4	N/A	A
							FINISHES:	PART NO./DRAWING NO.		REV:
							SEE DATA SHEET	HULL320-S1-S1-L		A
THIS DRAWING IS A CONTROLLED DOCUMENT										