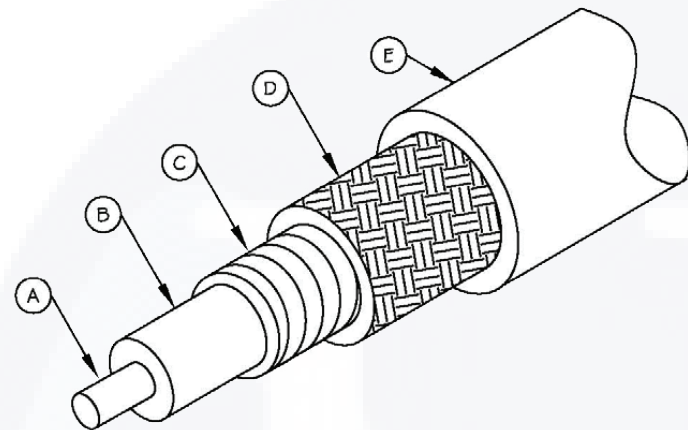
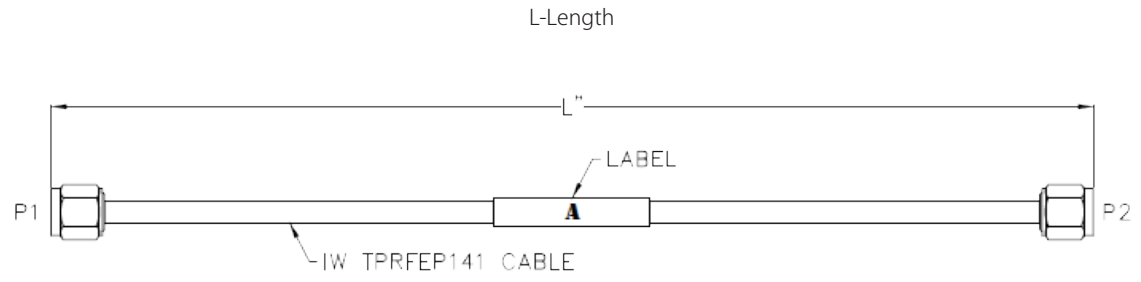


ELECTRICAL SPECIFICATONS

| | |
|------------------------|---|
| FREQUENCY: | DC-26.5 GHz |
| IMPEDANCE (NOMINAL): | 50 Ohms ± 2Ω |
| VSWR: | 1.35:1 (DC-26.5 GHz) |
| MAX LOSS: | Length (per foot) x (.009 sqrt(f) + .0006 x f) |
| TOLERANCE: | L < 36" = ±.100 36" ≥ L < 72" = ±.250 L ≥ 72" = ±.500 |
| RF LEAKAGE: | Equivalent to Semi-Rigid cable |
| TIME DELAY: | 1.40 ns/ft |
| MIN. BEND RADIUS: | .125 inches |
| OPERATING TEMPERATURE: | -55°C To +125°C |

MATERIALS

| | |
|-----------------------|--------------------------------|
| (A) CENTER CONDUCTOR: | Silver Plated OFHC Copper |
| (B) DIELECTRIC: | Multi-Ply PTFE Laminate |
| (C) SHIELD: | Silver Plated Copper |
| (D) BRAID: | Tin-Plated Copper |
| (E) JACKET: | FEP BLUE |
| SOLDER: | SN96 |
| LABEL: | Polyolefin per AMS-DTL-23053/5 |



To view online, go to: <https://www.hasco-inc.com/categories/cable-assemblies/iw-re-flex-cables/shell-style-sma-plugs.html>

| | | | | | |
|---------------------------------------|-------------|-------|-------|--|-----------------|
| LTR | DESCRIPTION | DATE | APPR. | DRAWN BY: ABC | CHECKED BY: ABC |
| - | RELEASE | 12/16 | TAC | APPROVED BY: ABC | |
| | | | | THESE DRAWINGS AND SPECIFICATIONS ARE THE PROPERTY OF HASCO COMPONENTS AND SHALL NOT BE REPRODUCED, COPIED NOR USED - IN WHOLE OR IN PART - AS THE BASIS FOR THE MANUFACTURE OR SALE OF OTHER ITEMS WITHOUT THE EXPRESS, WRITTEN PERMISSION OF HASCO COMPONENTS. | |
| | | | | | |
| | | | | | |
| | | | | | |
| | | | | | |
| THIS DRAWING IS A CONTROLLED DOCUMENT | | | | | |



5214 Bonsai Street • Moorpark, CA 93021
(888) 498-3242 • sales@hasco-inc.com
www.hasco-inc.com

| | | | |
|-------------------------------------|--|----------------------|-------------------|
| MATERIALS: SEE DATA SHEET | CAGE CODE: 0T8L4 | SCALE: N/A | SIZE: A |
| FINISHES: SEE DATA SHEET | PART NO./DRAWING NO. SPSH-TPRFEP141-L-SPSH | | REV: - |