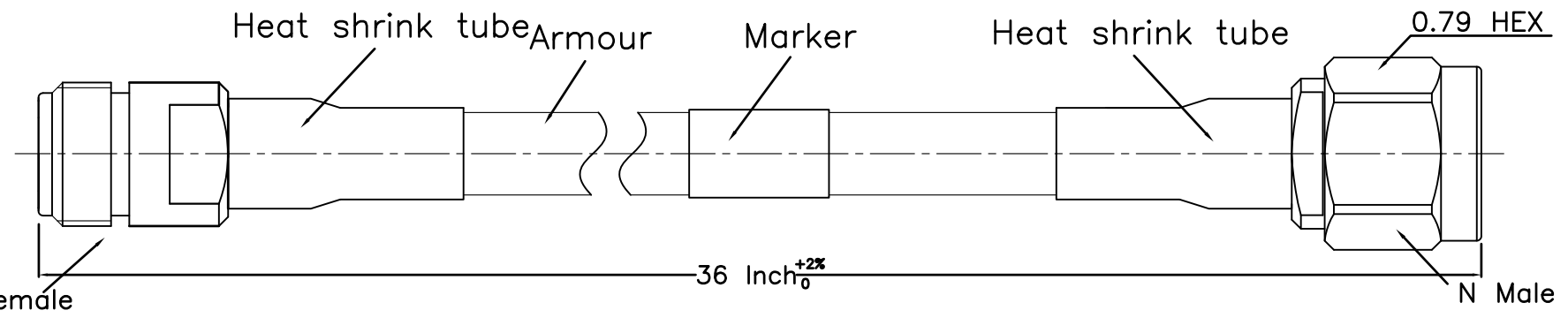


THIS DRAWING UNPUBLISHED.

RELEASED FOR PUBLICATION

LOC	DIST	REVISIONS				
—	—	P	LTR	DATE	DWN	APVD
—	—	—	—	—	—	—



NOTES:

1.ELECTRICAL:

- 1.1 IMPEDANCE: 50Ω
- 1.2 INSULATION RESISTANCE:5000MΩ MIN
- 1.3 FREQUENCY RANGE: DC~18GHz
- 1.4 DIELECTRIC WITHSTANDING VOLTAGE: 1000V MAX AT SEA LEVEL
- 1.5 VSWR≤1.40:1@DC-18GHz
- 1.6 INSERTION LOSS: ≤1.7dB@18GHz

2.ENVIRONMENTAL:

TEMPERATURE RANGE: -55° to +125°

3. CONNECTOR MATERIAL AND FINISH:

- BODY: STAINLESS STEEL TYPE 303, PASSIVATE
- NUT: STAINLESS STEEL TYPE 303, PASSIVATE
- CENTER CONTACT: BERYLLIUM COPPER
- GOLD PLATING
- DIELECTRIC: PTFE, N/A

THIS DRAWING IS A CONTROLLED DOCUMENT.		DWN	CZB	11/11/2015	HASCO	
		CHK			HyTech Associates Sales Company, Inc	
		APVD			NAME HLL142® Series	
		PRODUCT SPEC			18GHz Ultra Low Loss Flexible Cable Assemblies	
		APPLICATION SPEC			Excellent Phase Stability	
					vs. Flexure & Temperature	
		SIZE	A3	CAGE CODE	OT8L4	DRAWING NO
		WEIGHT				HLL142-NP-NJ-36
		CUSTOMER DRAWING			SCALE	4:1
					SHEET	1 OF 1
					RVE	1

DIMENSIONS INCHES	TOLERANCES UNLESS OTHERWISE SPECIFIED:
	0 PLC ±0.25
	1 PLC ±0.15
	2 PLC ±0.12
	3 PLC ±-
	4 PLC ±-
	ANGLES ±1°

MATERIAL SEE TABLE

FINISH SEE TABLE