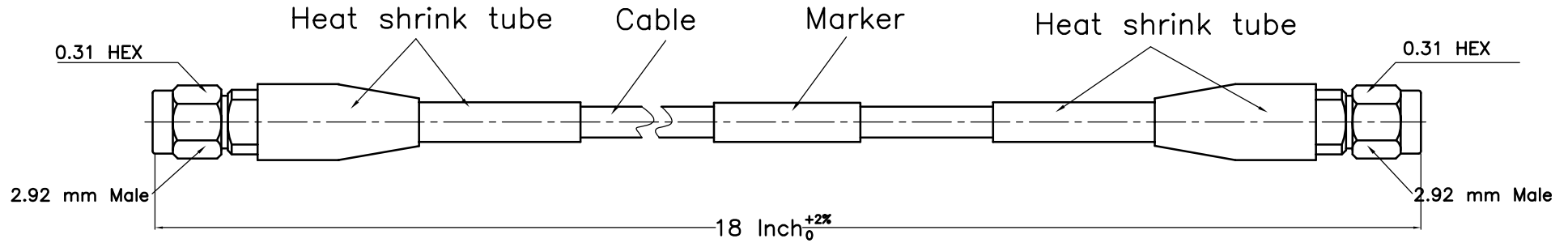


THIS DRAWING UNPUBLISHED.

RELEASED FOR PUBLICATION

LOC		DIST		REVISIONS			DATE	DWN	APVD
-	-	-	-	P	LTR		-	-	-



NOTES:

1.ELECTRICAL:

- 1.1 IMPEDANCE: 50Ω
- 1.2 INSULATION RESISTANCE:5000MΩ MIN
- 1.3 FREQUENCY RANGE: DC~40GHz
- 1.4 DIELECTRIC WITHSTANDING VOLTAGE: 1000V MAX AT SEA LEVEL
- 1.5 VSWR≤1.35:1@DC-40GHz
- 1.6 INSERTION LOSS: ≤2.0dB@40GHz

2.ENVIRONMENTAL:

TEMPERATURE RANGE: -55° to +85°

3. CONNECTOR MATERIAL AND FINISH:

BODY: STAINLESS STEEL TYPE 303, PASSIVATE  
 NUT: STAINLESS STEEL TYPE 303, PASSIVATE  
 CENTER CONTACT: BERYLLIUM COPPER  
 , GOLD PLATING  
 DIELECTRIC: PEEK, N/A

THIS DRAWING IS A CONTROLLED DOCUMENT.		DWN	DWP	15/08/2012	HASCO		
		CHK			HyTech Associates Sales Company, Inc		
DIMENSIONS INCHES		TOLERANCES UNLESS OTHERWISE SPECIFIED:		NAME			
		0 PLC	±0.25		HLL150® Series		
		1 PLC	±0.15		40GHz Ultra Low Loss Flexible Cable Assemblies		
		2 PLC	±0.12		Excellent Phase Stability		
		3 PLC	±		vs. Flexure & Temperature		
		4 PLC	±		SIZE	CAGE CODE	DRAWING NO
		ANGLES	±1°		A3	OT8L4	HLL150-29P-29P-18
MATERIAL		FINISH		CUSTOMER DRAWING			
SEE TABLE		SEE TABLE		SCALE	4: 1	SHEET	1 OF 1
				RVE 1			