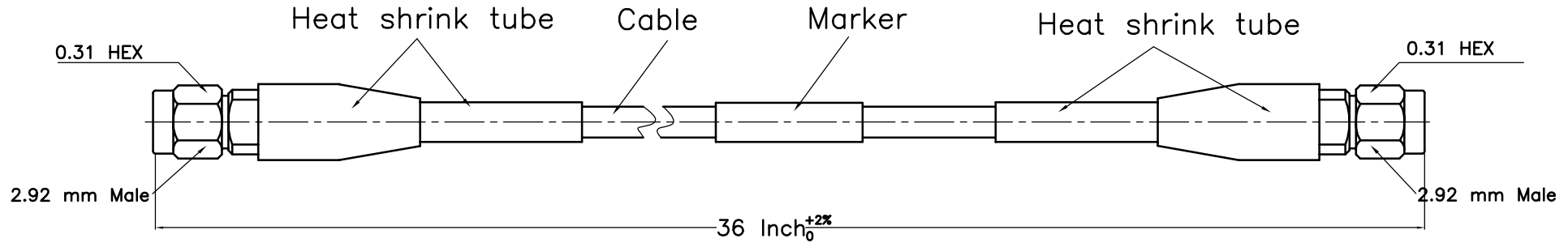


THIS DRAWING UNPUBLISHED.

RELEASED FOR PUBLICATION

LOC		DIST		REVISIONS			DATE	DWN	APVD
P	LTR								
-	-	-	-	-	-	-	-	-	



NOTES:

1.ELECTRICAL:

- 1.1 IMPEDANCE: 50Ω
- 1.2 INSULATION RESISTANCE: 5000MΩ MIN
- 1.3 FREQUENCY RANGE: DC~40GHz
- 1.4 DIELECTRIC WITHSTANDING VOLTAGE: 1000V MAX AT SEA LEVEL
- 1.5 VSWR ≤ 1.35:1 @ DC-40GHz
- 1.6 INSERTION LOSS: ≤ 3.2dB @ 40GHz

2.ENVIRONMENTAL:

TEMPERATURE RANGE: -55° to +85°

3. CONNECTOR MATERIAL AND FINISH:

- BODY: STAINLESS STEEL TYPE 303, PASSIVATE
- NUT: STAINLESS STEEL TYPE 303, PASSIVATE
- CENTER CONTACT: BERYLLIUM COPPER
- GOLD PLATING
- DIELECTRIC: PEEK, N/A

THIS DRAWING IS A CONTROLLED DOCUMENT.		DWN	DWP	15/08/2012	HASCO HyTech Associates Sales Company, Inc		
		CHK					
DIMENSIONS INCHES		TOLERANCES UNLESS OTHERWISE SPECIFIED:			DRAWING NO		
		0 PLC	±0.25		HLL150-29P-29P-36		
		1 PLC	±0.15		SIZE	CAGE CODE	
		2 PLC	±0.12		A3	OTBL4	
		3 PLC	±		SHEET 1 OF 1		
		4 PLC	±		RVE 1		
		ANGLES	±1°		CUSTOMER DRAWING		
MATERIAL		FINISH			SCALE 4: 1		
SEE TABLE		SEE TABLE					