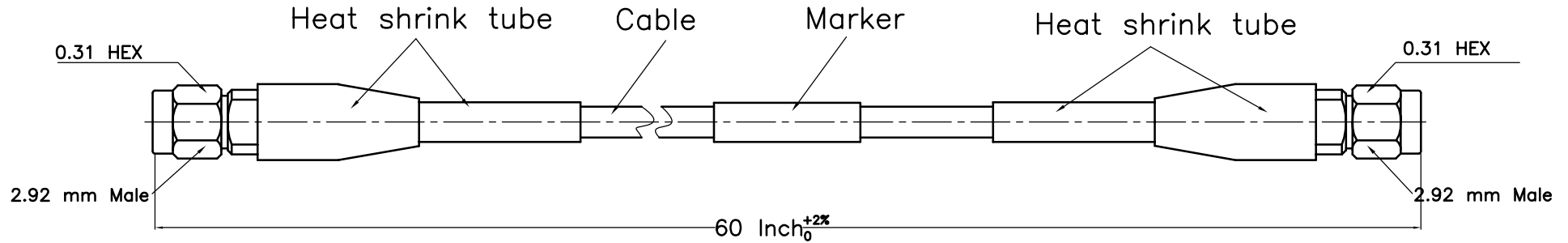


THIS DRAWING UNPUBLISHED.

RELEASED FOR PUBLICATION

LOC		DIST		REVISIONS			DATE	DWN	APVD
P	LTR								
-	-				-	-	-	-	



NOTES:

1.ELECTRICAL:

- 1.1 IMPEDANCE: 50Ω
- 1.2 INSULATION RESISTANCE: 5000MΩ MIN
- 1.3 FREQUENCY RANGE: DC~40GHz
- 1.4 DIELECTRIC WITHSTANDING VOLTAGE: 1000V MAX AT SEA LEVEL
- 1.5 VSWR ≤ 1.35:1@DC-40GHz
- 1.6 INSERTION LOSS: ≤ 4.7dB@40GHz

2.ENVIRONMENTAL:

TEMPERATURE RANGE: -55° to +85°

3. CONNECTOR MATERIAL AND FINISH:

BODY: STAINLESS STEEL TYPE 303, PASSIVATE
 NUT: STAINLESS STEEL TYPE 303, PASSIVATE
 CENTER CONTACT: BERYLLIUM COPPER
 , GOLD PLATING
 DIELECTRIC: PEEK, N/A

THIS DRAWING IS A CONTROLLED DOCUMENT.		DWN	DWP	15/08/2012	HASCO HyTech Associates Sales Company, Inc		
		CHK					
DIMENSIONS INCHES	TOLERANCES UNLESS OTHERWISE SPECIFIED:	APVD			NAME HLL150 Series		
	0 PLC ±0.25	PRODUCT SPEC			40GHz Ultra Low Loss Flexible Cable Assemblies		
	1 PLC ±0.15	APPLICATION SPEC			Excellent Phase Stability		
MATERIAL	FINISH	WEIGHT			SIZE	CAGE CODE	DRAWING NO
SEE TABLE	SEE TABLE				A3	OTBL4	HLL150-29P-29P-60
CUSTOMER DRAWING					SCALE	4: 1	SHEET 1 OF 1
							RVE 1